

Perfect Time **electronic tap**

Introduction

Perfect Time is part of Inta's range of electronic time controlled faucets operated by "Piezo Technology". The self closing fitting avoids the risk of taps being left on and together with that allows the user to open and close the faucet according to their needs.

With a 20 second factory preset, installation or maintenance staff can easily change this time manually according to the needs. Running time adjustment is not accessible to the end users. Inta can preset a different running time upon request.

inta taps used as water economy device operate **for a period of time** and then close automatically



- Time controlled basin electronic tap activated by piezo switch
- Mains Operated
- Can be used with cold or premixed water
- Water will start to flow out of the tap when the user touches the upper cap
- Water will stop automatically at the end of the present time or after the user touches the upper cap again
- Running time is easily adjustable
- Deck and wall mounted options available
- 9 coloured LED options available

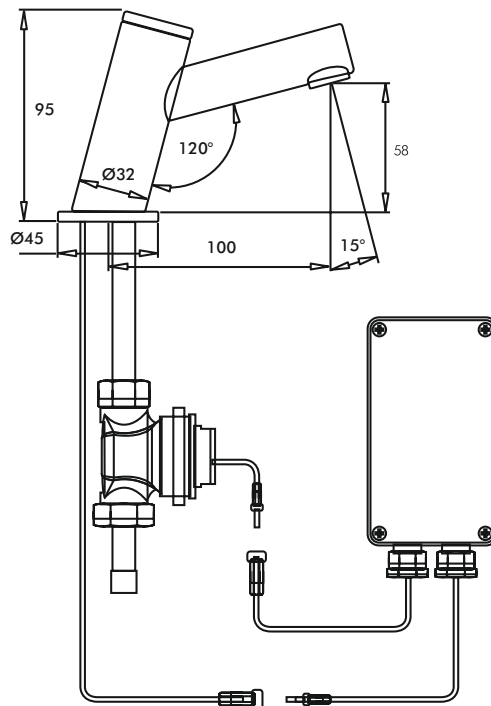
- Perfect Time with LEDs
Deck Mounted

■ Product Range

LED perfect time electronic tap - white	IR900CP
LED perfect time electronic tap - green	IR901CP
LED perfect time electronic tap - orange	IR902CP
LED perfect time electronic tap - royal blue	IR903CP
LED perfect time electronic tap - amber	IR904CP
LED perfect time electronic tap - green chartreuse	IR905CP
LED perfect time electronic tap - red	IR906CP
LED perfect time electronic tap - red and green	IR907CP
LED perfect time electronic tap - red and royal blue	IR908CP

Technical Specification

Max Operating pressure	0.5 - 8.0 bar
Max Inlet Temperature	70°C
Power Source	9V Transformer
Inlet Connections	G1/2" Male
System Installation	Basin Mounted



LED Colour Options



inspiring confidence