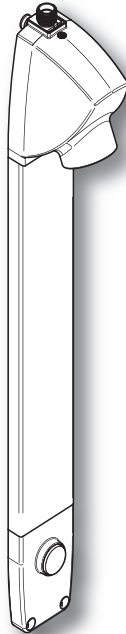


inta

i-sport Shower Panel ***SP9206CP & SP9207CP*** ***Installation and Maintenance***



In this procedure document we have endeavoured to make the information as accurate as possible.

We cannot accept any responsibility should it be found that in any respect the information is inaccurate or incomplete or becomes so as a result of further developments or otherwise.

SPORT

Intatec Ltd

Airfield Industrial Estate

Hixon

Staffordshire

ST18 0PF

Tel: **01889 272 180**

Fax: **01889 272 181**

email: **sales@intatec.co.uk**

web: **www.intatec.co.uk**

Introduction

This installation guide has been produced for the SP9206CP i-sport compact shower panel. These instructions cover the installation, operation and maintenance. Please read the enclosed instructions before commencing the installation of this product, please note;

We recommend that the installation of any Inta product is carried out by an approved installer.

The installation must be carried out strictly in accordance with the Water Supply (Water Fitting) Regulations 1999 and any local authority regulations.

If in doubt, we would recommend that you contact either your local water authority, the secretary of the Water Regulations Committee at WRc on Tel: 01495 248454 or Institute of Plumbing on Tel: 01708 472791.

All products **MUST** be re-commissioned to suit site conditions to ensure optimum performance levels of the product are obtained.

It is recommended, especially in hard water areas, that a water softener such as the ActivFlo or ActivFlo lite be fitted to reduce the risk of calcium deposits forming.

Safety

43 °C is the maximum mixed water temperature from a shower mixer. The maximum temperature takes account of the allowable tolerances inherent in thermostatic shower mixers and temperature losses.

It is not a safe bathing temperature for adults or children.

The British Burns Association recommends 37 to 37.5 °C as a comfortable washing temperature for children. In premises covered by the Care Standard Act 2000, the maximum mixed water outlet temperature is 43 °C.

Products

i-sport shower panel with timed flow shower and shower head - top connection	SP9206CP
i-sport shower panel with timed flow shower and shower head - back connection	SP9207CP

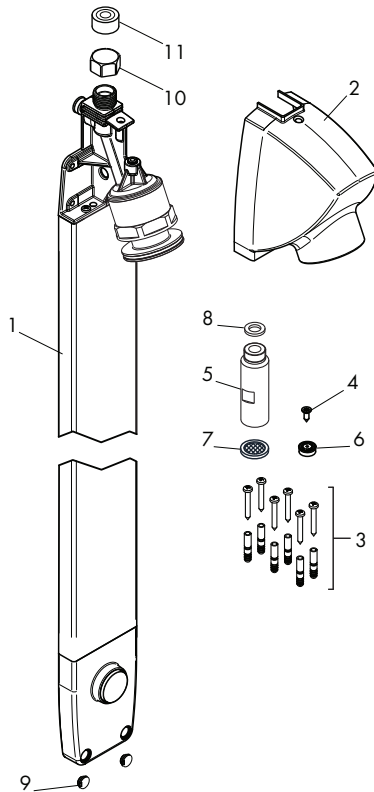
Components

Item Qty Component

1	1	Shower panel
2	1	Shower head cover
3	6	Screws and wall plugs
4	1	Self tapping screw
5	1	½" back entry leg*
6	1	8 l/min flow regulator

Item Qty Component

7	1	½" filter washer
8	1	⅜" fibre washer*
9	2	Screw cap
10	1	Blanking cap*
11	1	Dust cap
	*	(SP9207CP only)



Check Content

Before commencing remove all components from packaging and check each component with the contents list.

Ensure all parts are present, before discarding any packaging. If any parts are missing, do not attempt to install your Inta compact shower panel until the missing parts have been obtained.

Technical Data

This Inta i-sport compact shower panel is suitable for using recirculating hot water systems and from a calorifier or hot water storage cylinder.

Water pressure range:	1.5 to 5 bar
Recommended water pressure range:	2 to 4 bar
Water temperature range:	5 to 65°C
Flow time:	30s +5/-10
Inlet connections:	G1/2B
Flow rate:	8 l/m

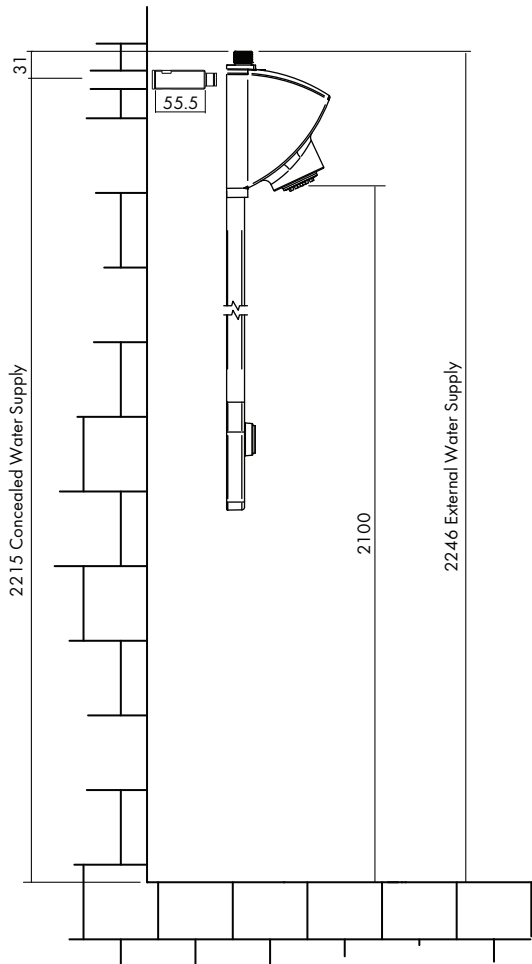
General Recommendations

- Do not expose the shower to temperatures lower than 5°C (for example during winter time): otherwise drain the system and any water residue.
- Adequate provision must be made to ensure the water quality (including limescale) when installing the shower; the presence of impurities may damage the self-closing cartridge.
- If the system has not been used for a prolonged period, purge the up-streaming water supply, before operating the shower.
- A service valve and check valve should be installed in the water supply pipework, should maintenance be required in the future.
- For premixed water a thermostatic mixing valve should be fitted, preferably TMV3 such as an Intamix with MX ends which include a ball isolating valve, strainer and single check valve.
- **PLEASE NOTE:** 8 l/m flow regulator must be installed for correct operation.

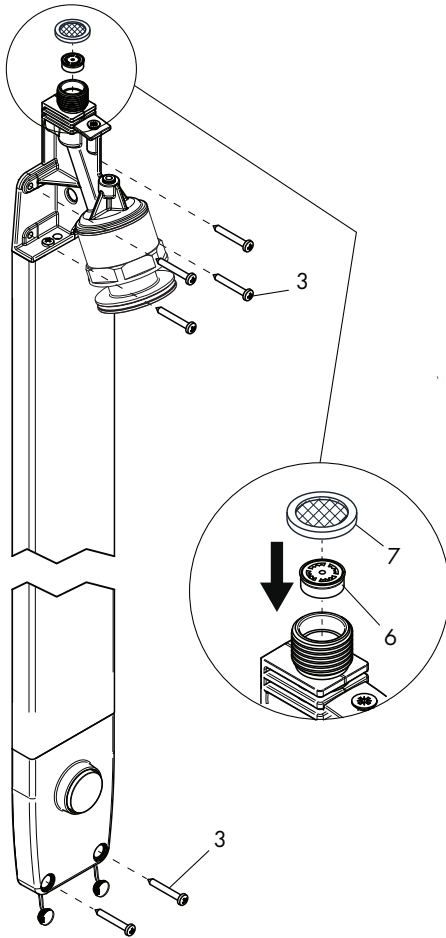
Installation

The whole system should be thoroughly flushed, prior to the connection of the water supply to the shower or thermostatic mixing valve, to remove any debris that may be in the supply pipework.

The i-sport compact panel shower should be positioned at a convenient height for most users as illustrated below.

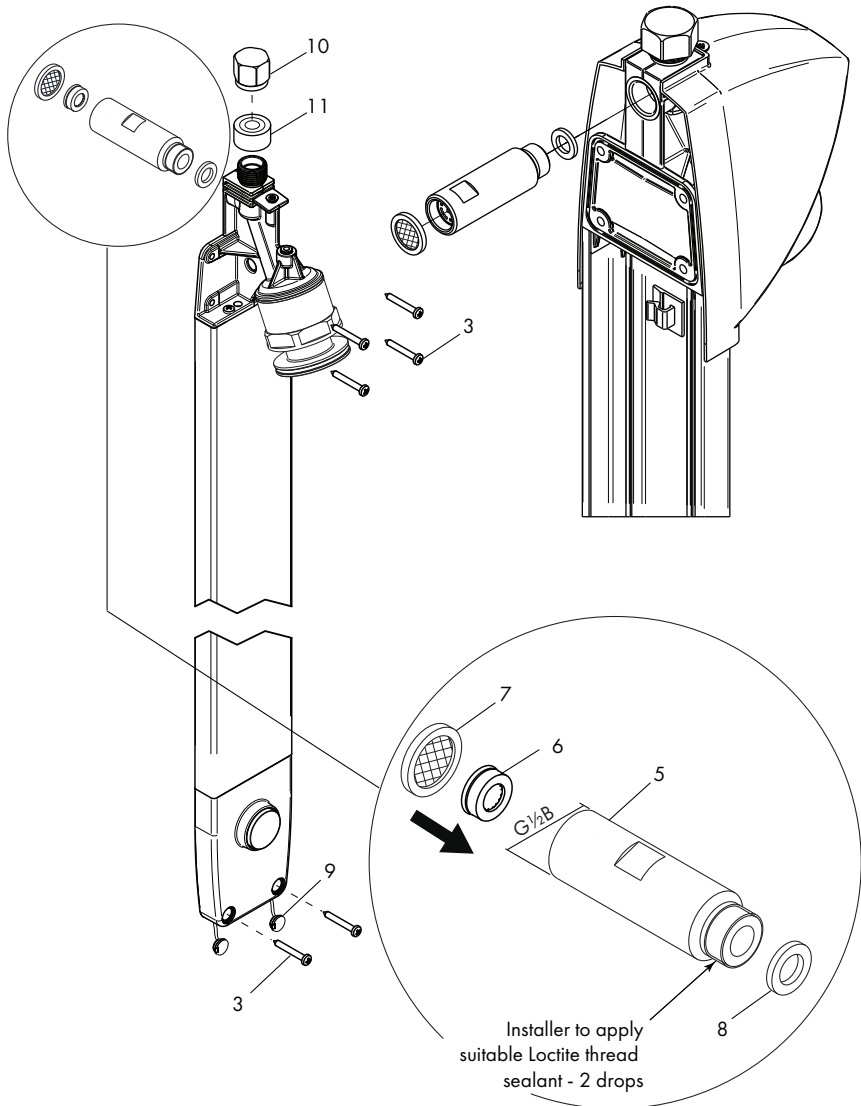


External Supply



- The shower panel is supplied for an external water supply from above.
- Remove the shower head cover (2) from the shower panel.
- Leave the dust cap (11) on the inlet threads.
- Using the 6 fixing holes in the shower panel as a template mark their positions on the wall or use to drill pilot holes.
- Ensure the shower panel will be vertical when fitted.
- Drill six holes and using the wall plugs and screws (3) provided secure the shower panel to the wall.
- Remove the dust cap (11).
- Connect the water supply to the top connection ensuring that the 8 l/m flow limiter (6) and filter washer (7) are fitted.

Concealed Supply

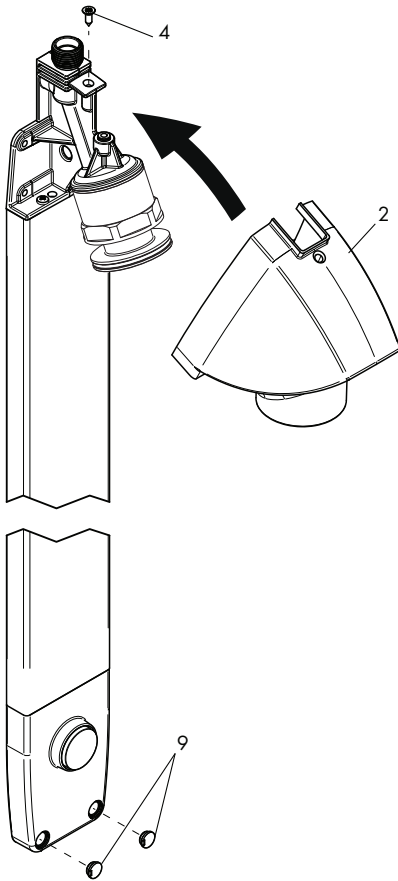


Concealed Supply Cont.

The shower panel can be supplied by a concealed supply, through a wall or panel.

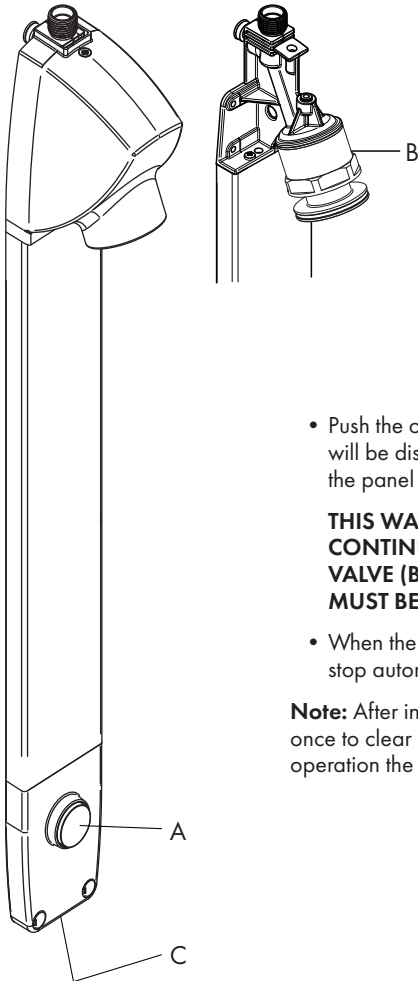
- Remove the dust cap (11) and fit the blanking cap (10) to the top external supply connection.
- The concealed supply must terminate with a G½ parallel female thread.
- Insert the 8 l/m flow limiter (6) in the back entry leg (5) respecting the installation direction.
- Installer to apply 2 drops of a suitable Loctite thread sealant onto the smaller male thread, which will lock the component in place.
- Fit the back entry leg (5), using a suitably sized spanner located on the two flats, onto the concealed supply fitting using the fibre washer (8).
- Remove the shower head cover (2) from the shower panel.
- Carefully couple the shower panel onto the inlet connection fitting (5) and mark out precisely the six fixing positions on the wall, ensuring the shower panel is vertical.
- Remove the shower panel and drill the wall and fit the 6 wall plugs.
- Permanently connect the supply to the shower using the filter washer (7).
- Using the screws (3) provided secure the shower panel to the wall.

Completing the Installation



- Fit the shower head cover (2) to the panel and secure it in position with the self-taping screw (4).
- Fit the screws caps (9) to the bottom of the panel as shown.

Operating the Shower



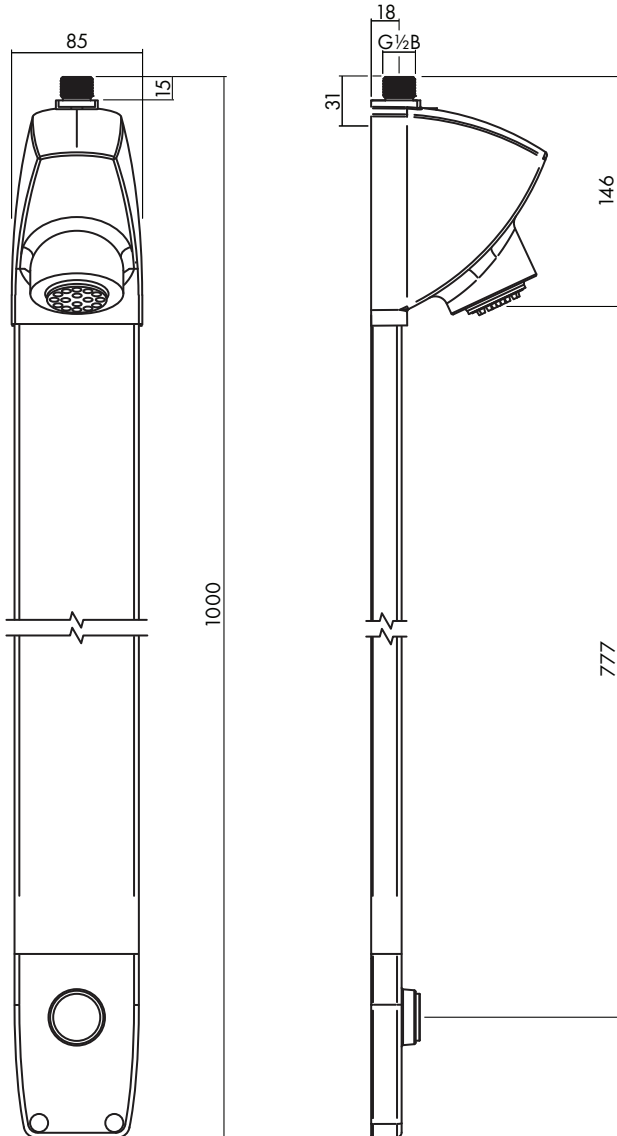
- Push the operating button (A), a small quantity of water will be discharged through an outlet in the lower part of the panel (C).

THIS WATER DISCHARGE IS NECESSARY FOR THE CONTINUING OPERATION OF THE SELF CLOSING VALVE (B), FOR THIS REASON THE OUTLET HOLE MUST BE KEPT UNRESTRICTED

- When the operating button is released, the water flow will stop automatically after the pre-defined time.

Note: After installation you may need to operate the shower once to clear any air inside the mechanism. Following this operation the flow time will be within the pre-defined time.

Dimensions



Aftercare

i-sport compact shower panel has a high quality finish and should be treated with care.

An occasional wipe with a mild washing-up liquid on a soft damp cloth followed by a thorough rinsing is all that is required.

Do not use an **abrasive** or **chemical household cleaner** as this **may cause damage**.

Timed showers normally do not need any maintenance of the mechanical components, but its reliability is mainly influenced by the water quality and debris within the system.

The spray plate can be removed using a special key if it needs de-scaling or replacing.
Key Code: NE001XX.

Spares

A full range of spares are available for this product.

PLEASE NOTE: Only genuine spares should be used.

To active your product warranty please visit

www.intatec.co.uk

and click on Product Registration

Intatec Ltd

Airfield Industrial Estate
Hixon
Staffordshire
ST18 0PF

Tel: **01889 272 180**

Fax: **01889 272 181**

email: **sales@intatec.co.uk**

web: **www.intatec.co.uk**