



- Improves efficiency of DHW systems
- Thermostatic self-balancing control automatically responds to changes in system temperature and flow requirements
- Reduces heat loss through lower circulation of hot water
- Helps to keep temperature evenly distributed and reduces dead-legs
- Reduces the consequences of oversized circulation pumps
- Thermal disinfection function
- Optional electrical actuator available
- Anti-tamper lockable head

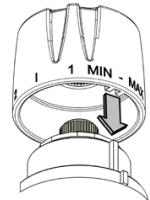
Product Range

Code	Description
60045CP	1/2" Thermal Balancing Valve with Thermal Disinfection Bypass
60046CP	3/4" Thermal Balancing Valve with Thermal Disinfection Bypass
60047CP	1/2" Thermal Balancing Valve with Thermal Disinfection Bypass and Actuator
60048CP	3/4" Thermal Balancing Valve with Thermal Disinfection Bypass and Actuator

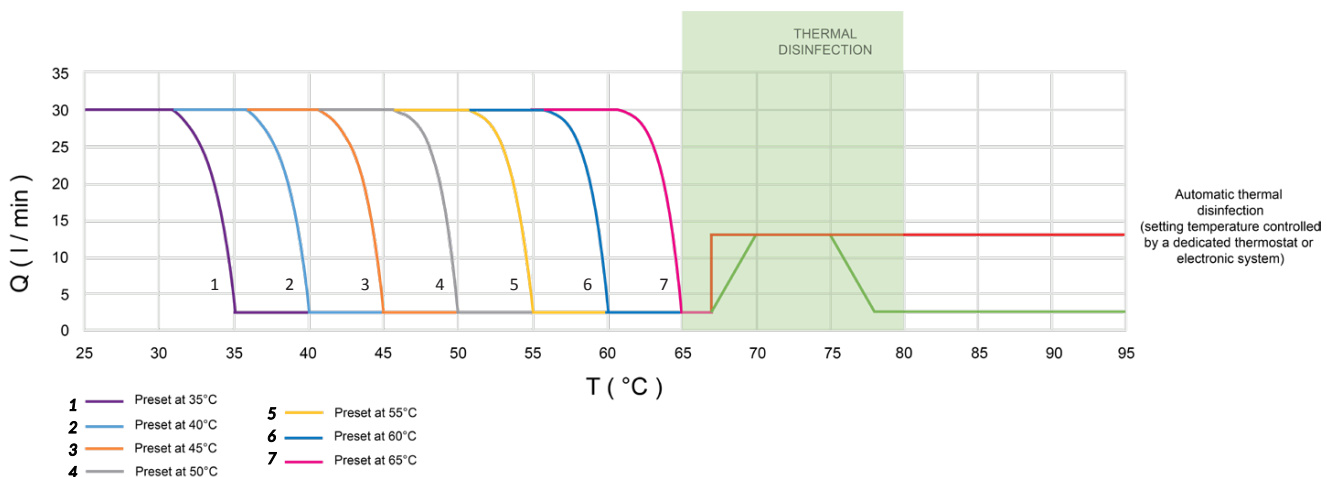
Technical Features

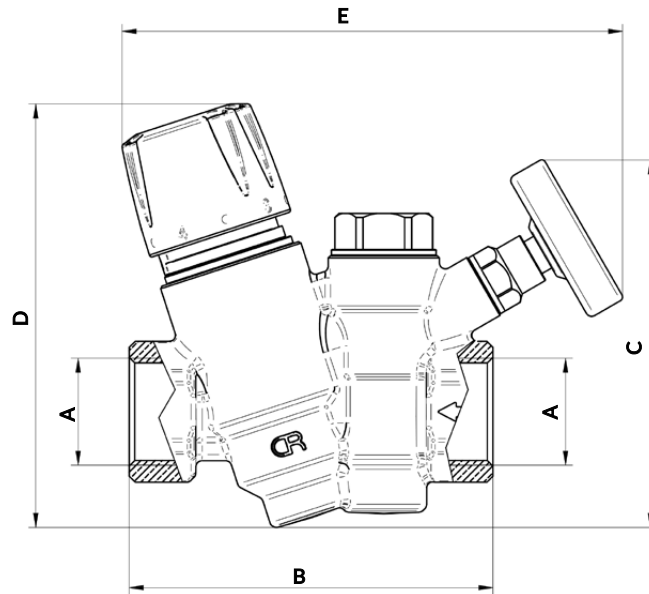
Temperature Setting Range:	35 - 65°C
Temperature Stability:	±2°C
Max Working Pressure (Static):	16 Bar
Max Inlet Temperature:	90°C
Disinfection Temperature:	67°C
Closing Temperature:	75°C
Kv Max:	1.8 m ³ /h
Kv Min:	0.15 m ³ /h

5 "LnY >"L"pL"LJ .L">"Y"%"...¥"Y"~"pL"y~, A`
 E sp"pL"n">HŸ>"LH%"B L, ~"pL"Q> Q L ~ > sA">"s ~
 B>~"AL", ByLHA¥"Y"~s-n"pL"y~, A", "pL"Q> YL`
 "L†YSLH"pL"~H%%"B A s-n"s">~H"L>%%B A s-n"s`
 %%"p>"pL"s"~L"~> "LNL"~BL" B Y..L%£ sp"pL`
 "LNL"~BL, ~"pL"~s-n"~Y"

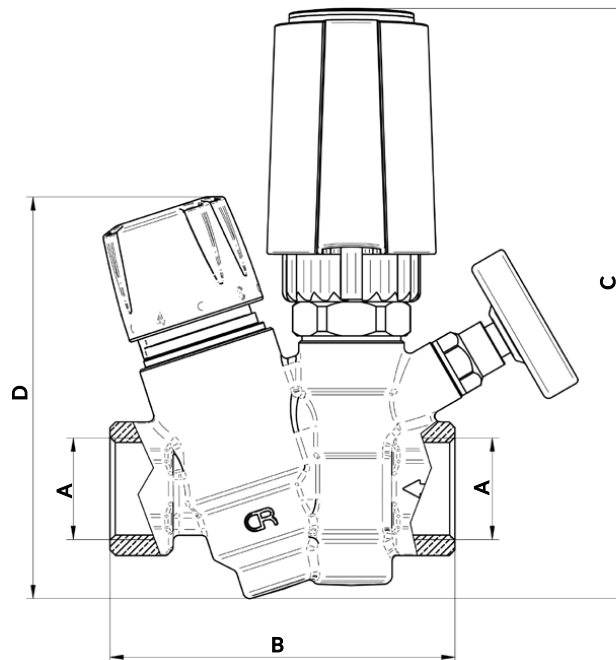


Hydraulic Characteristics





Code	A	B	C	D	E
60045CP	1/2"	90	90.8	105.5	129.8
60046CP	3/4"	90	90.8	105.5	129.8



Code	A	B	C	D
60047CP	1/2"	90	153.7	105.5
60048CP	3/4"	90	153.7	105.5