



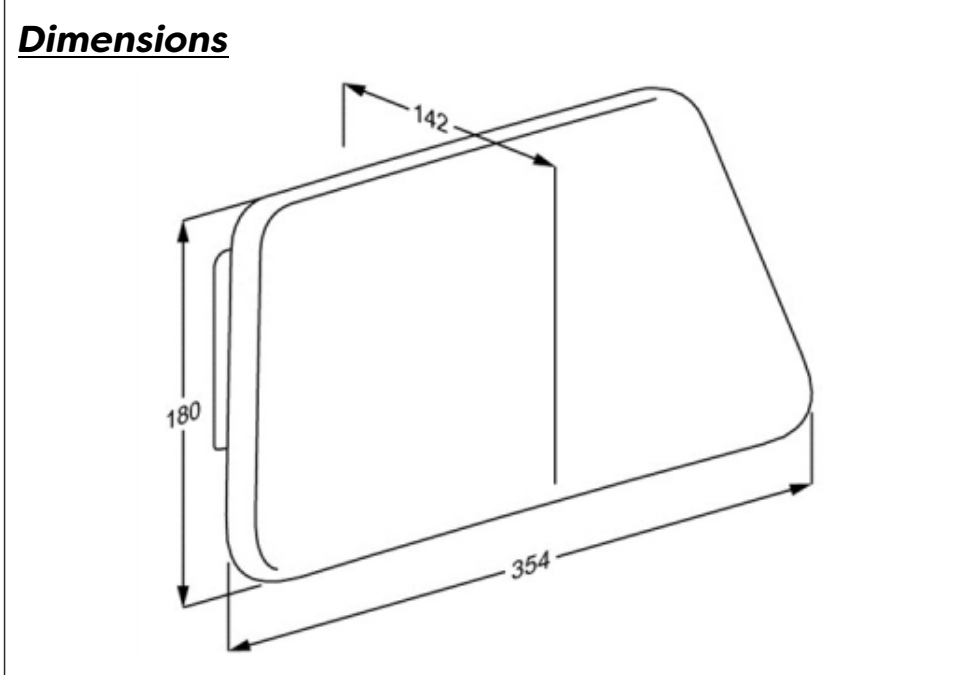
**Product**  
**R16610112 - Back Rest Fixed Height**

**Technical Specification**

**Seat Colour:** Pale Grey

**Bracket Colour:** White

**Materials:**  
**Wall Profile:** Diecast Aluminium  
**Seat:** Vacuum-Moulded Polyethylene (PE)



**Additional Information**

**Brick wall fixing kit Included**

**This product complies with the requirements of Council Directive 93/42/EEC concerning medical devices, as last amended by Council Directive 2007/47/EC of 5th September 2007.**

**Cleaning**

**The following cleaning agents have been tested and may be used, as long as they are diluted according to the instructions on the container.**

<b>Disinfectants</b>		
- Clinimax Difficil-S	- Erisan OXY+	- Klorilli
<b>Non-Disinfectants</b>		
- Suma Star Free D1	- Taski 100	- Taski 200

**The product must be wiped down with a soft rag wrung out in clear water immediately after cleaning.**