



Product

DI7001CP - Concealed Minimalistic 2 Way Diverter

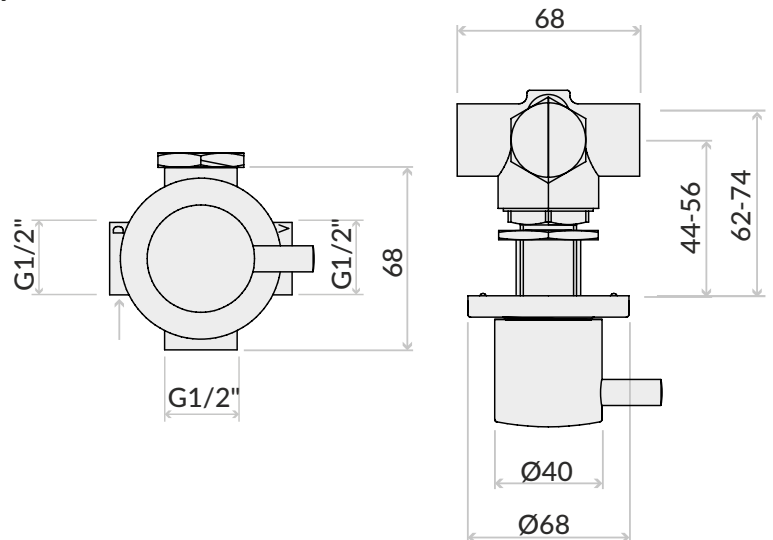
SDIVERT - Exposed Minimalistic 2 Way Diverter

Technical Specification

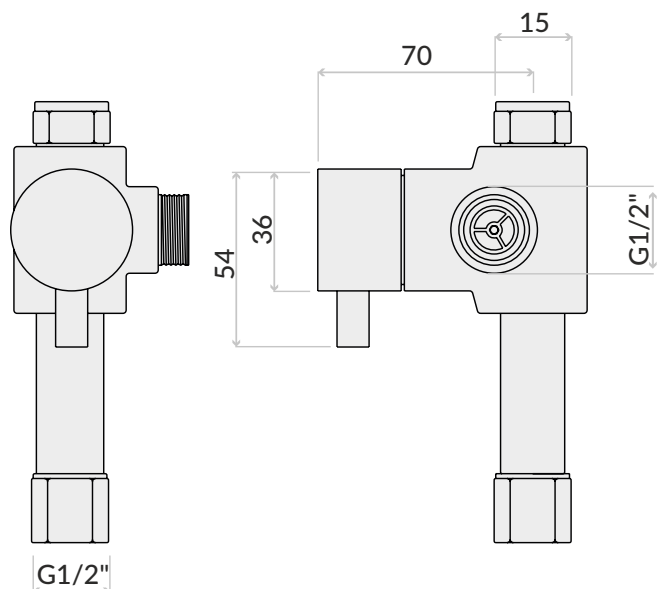
Max Inlet Pressure (static):	5 Bar
Max Inlet Temperature: Inlet	85°C
Connections:	1/2" F
DI7001CP Outlet Connections:	1/2" M
SDIVERT Outlet Connections:	1/2" M and 15mm

Drawings

DI7001CP



SDIVERT



Additional Information

Long lever to aid operation for users with limited dexterity

Diverts water flow between outlets

Polished chrome finish

Intended for use with Inta shower mixers

