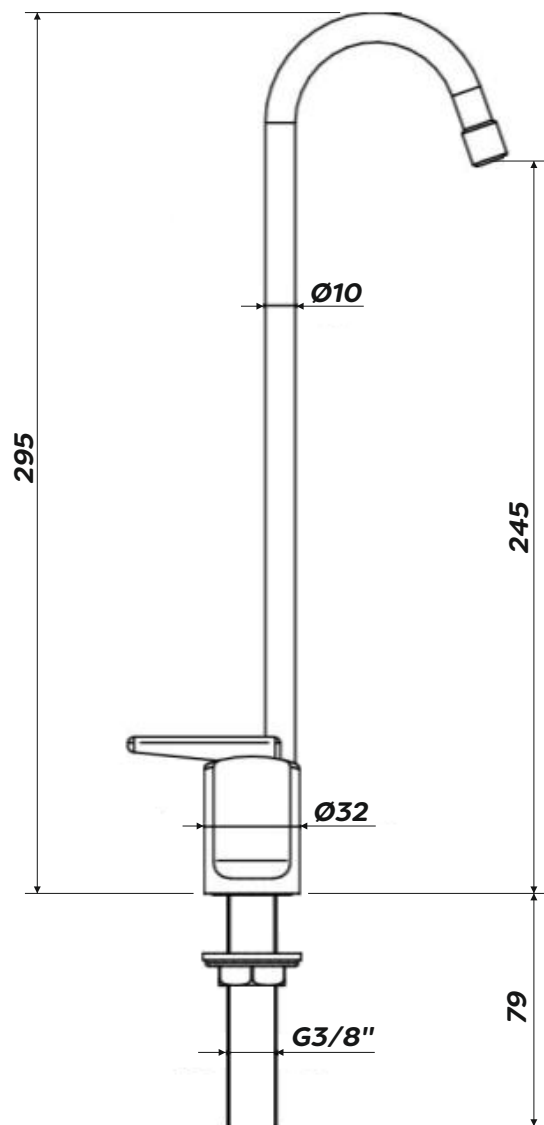
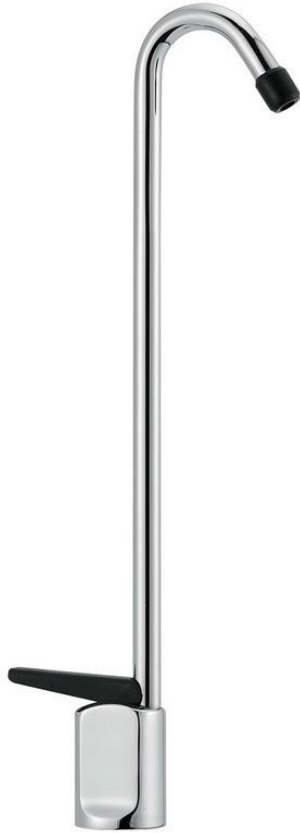


Product

DF2180CP - Lever Operated Drinks Fountain with Instant Cut Off

Technical Specification

Max Inlet Pressure (static):	8 Bar
Min Inlet Pressure (dynamic):	0.1 Bar
Inlet Temperature Range:	5 - 65°C
Recommended Pressure:	2 - 4 Bar



Additional Information

Brass valve with chrome finish

Lever operated control

Instant shut off

Adjustable flow rate