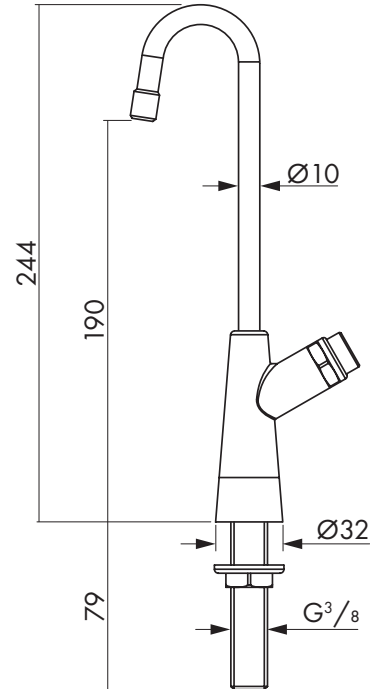


DF2179CP Push Button Drinking Fountain with Instant Cut Off



Dimensions



Operating Conditions

Maximum Inlet Pressure:	8 bar (Static)
Minimum Inlet Pressure:	0.1 bar (Dynamic)
Inlet Temperature:	5 to 30 °C
Recommended Pressure:	2 to 4 bar

Water Byelaws

The installation must be carried out in accordance with the Water Supply (Water Fittings) Regulations 1999 and any local authority regulations.

The drinking fountain should have a connection containing a service valve and filter, in order to isolate the fountain should servicing be required in the future.

Installation

All installations should be thoroughly flushed to remove any debris that may affect the performance of the drinking fountain.

The drinking fountain is intended to be connected to the cold water supply.

The drink fountain is designed for installing on one hole drinking fountain basins.

Installation Continued

Ensure that the sealing washer is located on the threaded section between the fountain and basin. Once in place secure in position using the back nut taking care not to over tighten.

Connect the cold water supply pipe to the inlet using a suitable fitting.

Turn on the water supply, operate the fountain and check all joints for leakage.

Operation

Push the button to open the valve and release to close, the flow should stop immediately.

The more the button is push in will increase the flow rate.

Aftercare

Clean periodically with a soft cloth and mild detergent.

Abrasive or strong cleaners will damage the surface finish.