



## Product

**79020CP - Acura Care Concealed Thermostatic Sequential Shower Valve Top or Bottom Outlet**

## Technical Specification

<b>Max Inlet Pressure (static):</b>	<b>10 Bar</b>
<b>Min Inlet Pressure (dynamic):</b>	<b>0.2 Bar</b>
<b>Max Inlet Temperature:</b>	<b>85°C</b>
<b>Factory Pre-set Temperature:</b>	<b>41°C with max temp stop</b>
<b>Temperature Stability:</b>	<b>+/-2°C</b>
<b>Inlet Connections:</b>	<b>15mm Compression</b>
<b>Outlet Connections:</b>	<b>15mm Compression</b>
<b>Min temperature differential between hot inlet and mixed outlet to achieve cold water failsafe:</b>	<b>10°C</b>
<b>Max Inlet Pressure Ratio:</b>	<b>5:1</b>



## Additional Information

**Long lever to aid users with limited dexterity**

**Inclusive design provides function without clinical appearance**

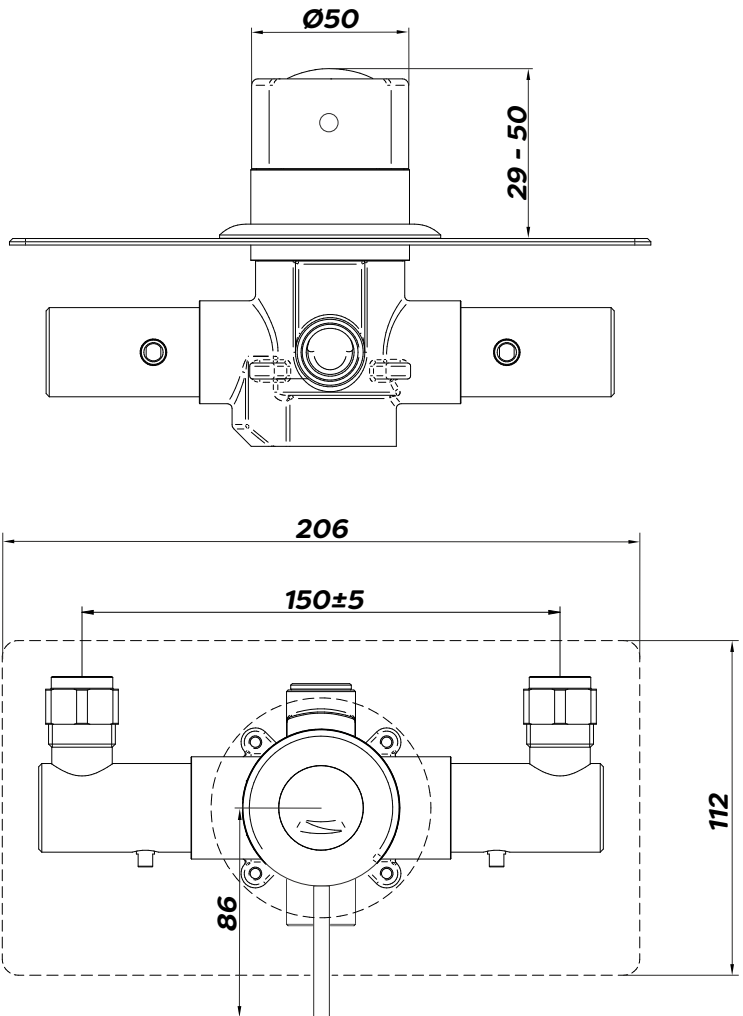
**Thermostatic sequential control**

**Anti-scald cold water fail-safe technology**

**Polished stainless steel cover plate**

**TMV3 Approved (HP only)**

**WRAS Approved**



**Intatec, Airfield Industrial Estate, Hixon, Stafford, ST18 0PF**

**T. 01889 272180 F. 01889 272181 E. [sales@intatec.co.uk](mailto:sales@intatec.co.uk)**

**[www.intatec.co.uk](http://www.intatec.co.uk)**