



Quick release isolation valve

Domestic Automatic Air Vents

Code	Description
AAV07911500B	Automatic Air vent 15mm
AAV079103800	Automatic Air vent 3/8" (Plastic)
AAV079105000B	Automatic Air vent 1/2"
AAV079103850	Automatic Air vent 3/8" with quick release isolation valve
AAV079105050B	Automatic Air vent 1/2" with quick release isolation valve

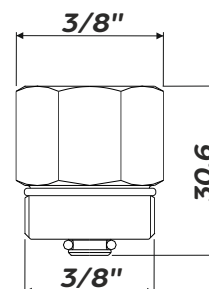
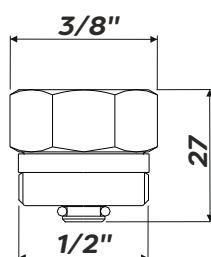
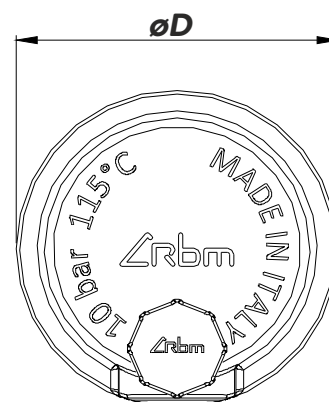
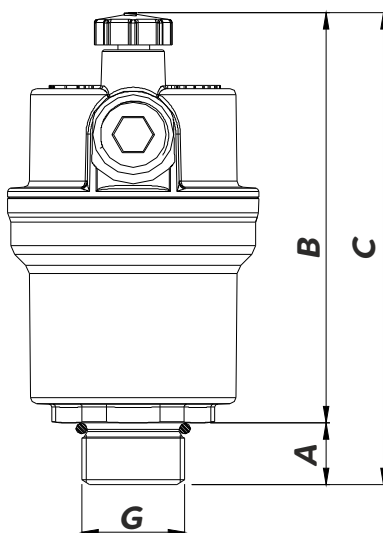
Technical Specification

Max pressure (static):	10 Bar
Max discharge pressure:	6 Bar
Max temperature:	100°C
Fluid type:	Water or Water/ Glycol (30%) mix

G	A	B	C	Ø D
3/8"	10	66.9	76.9	40.4
1/2"	11.5	66.9	78.4	40.4
15mm	20.6	68	88.6	40.4

Note - Red plug to be unscrewed by half turn at installation for air removal.

Drawings



Additional Information

Automatically discharges air build up

Improves efficiency

Available with 15mm, 3/8" or 1/2" connection

Range of high capacity air separators available

Quick release isolation valve available

Eliminates noisy system pipework

