



- Pre-insulated to reduce system heat loss preserving system efficiency
- Can be fit directly to the heat pump
- Available in different sizes and styles to suit a variety of heat pump installations
- Supplied in pairs to suit the flow and return
- Supplied with an additional piece of insulation to cover connections
- The Primary Pro insulation is waterproof and UV resistant, making it suitable for all weather conditions. Check joints on annual service and re-seal if required using Bond & Seal
- Check coating and re-coat if required on annual service

SUITABLE FOR EXTERNAL USE ONLY!

Product Range

Code	Description
HPHOSE300	2 Pack 300mm Primary Pro pre-insulated hoses 1" female swivel x 28mm
HPHOSE300B	2 Pack 300mm Primary Pro pre-insulated hoses 1" female swivel elbow x 28mm
HPHOSE500	2 Pack 500mm Primary Pro pre-insulated hoses 1" female swivel x 28mm
HPHOSE500B	2 Pack 500mm Primary Pro pre-insulated hoses 1" female swivel elbow x 28mm
HPHOSE50035	2 Pack 500mm Primary Pro pre-insulated hoses 1 1/4" female swivel x 35mm
HPHOSE50035B	2 Pack 500mm Primary Pro pre-insulated hoses 1 1/4" female swivel elbow x 35mm
HPHOSE750	2 Pack 750mm Primary Pro pre-insulated hoses 1" female swivel x 28mm
HPHOSE750B	2 Pack 750mm Primary Pro pre-insulated hoses 1" female swivel elbow x 28mm
HPHOSE75035	2 pack 750mm Primary Pro pre-insulated hoses 1 1/4" female swivel x 35mm
HPHOSE75035B	2 pack 750mm Primary Pro pre-insulated hoses 1 1/4" female swivel elbow x 35mm

Accessories

Code	Description
INSULBOND	290ml Bond & Seal

Technical Features

Hose

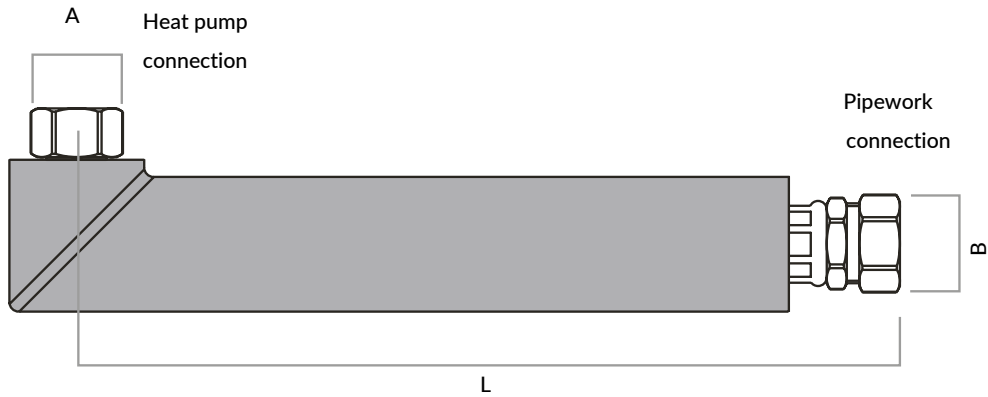
Max Inlet Pressure (static):	10 Bar
Max Inlet Temperature:	90°C
Medium:	Water, Water+Glycol up to 50%

Insulation

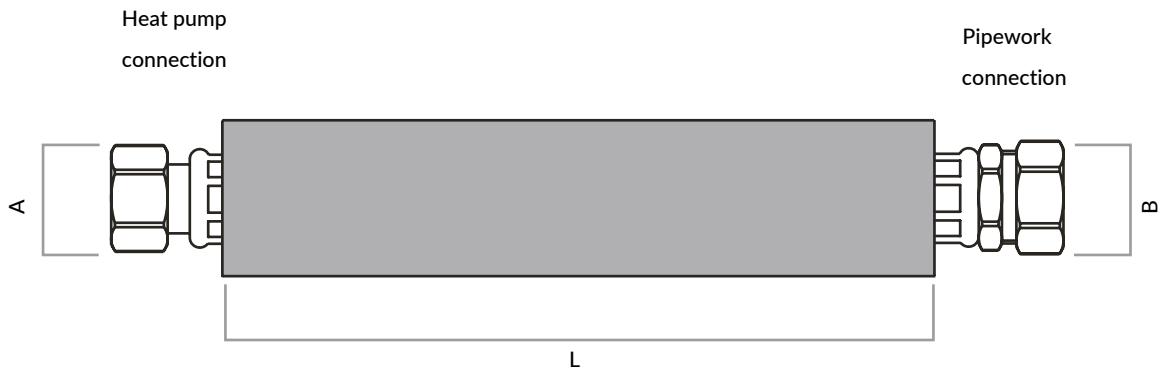
Wall Thickness:	19 +0 / -3mm
Material:	Treated Closed Cell Polyethylene
Temperature Range:	-45°C to 105°C
Thermal Conductivity:	$\lambda = 0.035 \text{ W/mk at } 40^\circ\text{C}$
Water Vapour Diffusion Resistance:	$\mu \geq 39,300$



Supplied pre-insulated with Primary Pro's water and UV resistant insulation

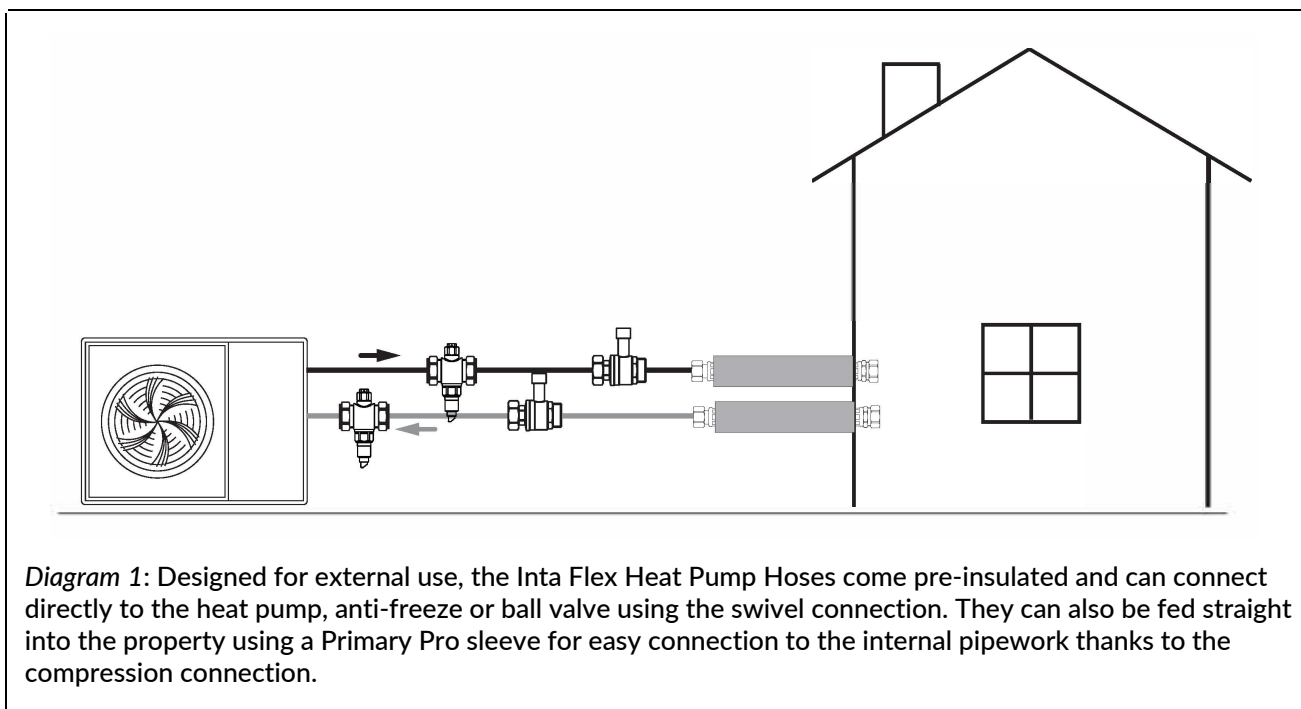


Code	A	B	L
HPHOSE300B	1"	28mm	300mm
HPHOSE500B	1"	28mm	500mm
HPHOSE50035B	1 1/4"	35mm	500mm
HPHOSE750B	1"	28mm	750mm
HPHOSE75035B	1 1/4"	35mm	750mm



Code	A	B	L
HPHOSE300	1"	28mm	300mm
HPHOSE500	1"	28mm	500mm
HPHOSE50035	1 1/4"	35mm	500mm
HPHOSE750	1"	28mm	750mm
HPHOSE75035	1 1/4"	35mm	750mm

Application Diagrams



Additional Information

For more information on how to correctly install and seal your insulation, please scan the QR code for the Primary Pro YouTube channel:



Building regulations Part L states that all external pipework on an Air Source Heat Pump System must be fully insulated to reduce heat loss and maintain system efficiency.

In systems where every watt counts, Inta's Pre-insulated hoses have been designed for external use to prevent heat losses and to help maintain the COP and SCOP of the system, preventing losses of energy, contributing to an efficient system and preventing higher costs to run than expected.

The waterproof finish prevents the insulation from absorbing water and moisture that could result in an unintended outcome of the insulation becoming a conductor for heat loss.

Its essential that all joints are bonded and sealed correctly to prevent any capillary traction occurring. The surface finish must be re-treated, the joints and seals inspected and resealed if necessary using Primary Pro Bond / Seal during an annual inspection to maintain the product performance.