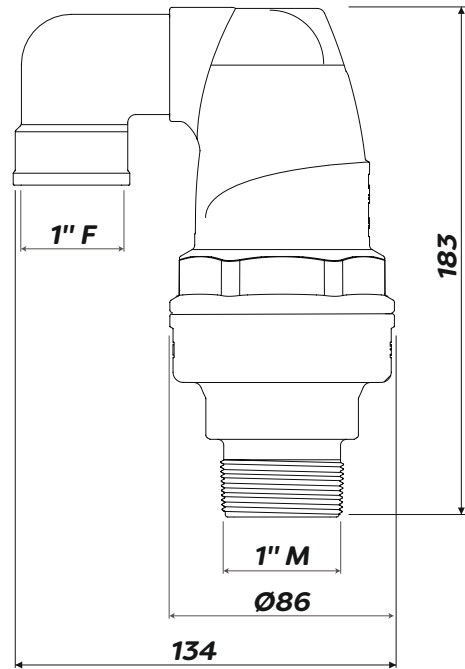


Product

AAVPLAS1 - 1" Combination Air Vent

Technical Specification

Max Inlet Pressure (static):	16 Bar
Min Inlet Pressure (dynamic):	0.2 Bar
Max Peak Inlet Temperature:	80°C
Max Constant Inlet Temperature:	60°C



Additional Information

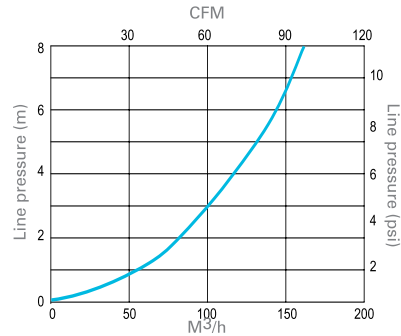
Triple action air vent

Discharges high volumes of air on initial filling of the system

Acts as a conventional automatic air vent

Allows the ingress of high volumes of air during draining

Discharge data (free air flow) 1



Inflow data (free air flow) 1

