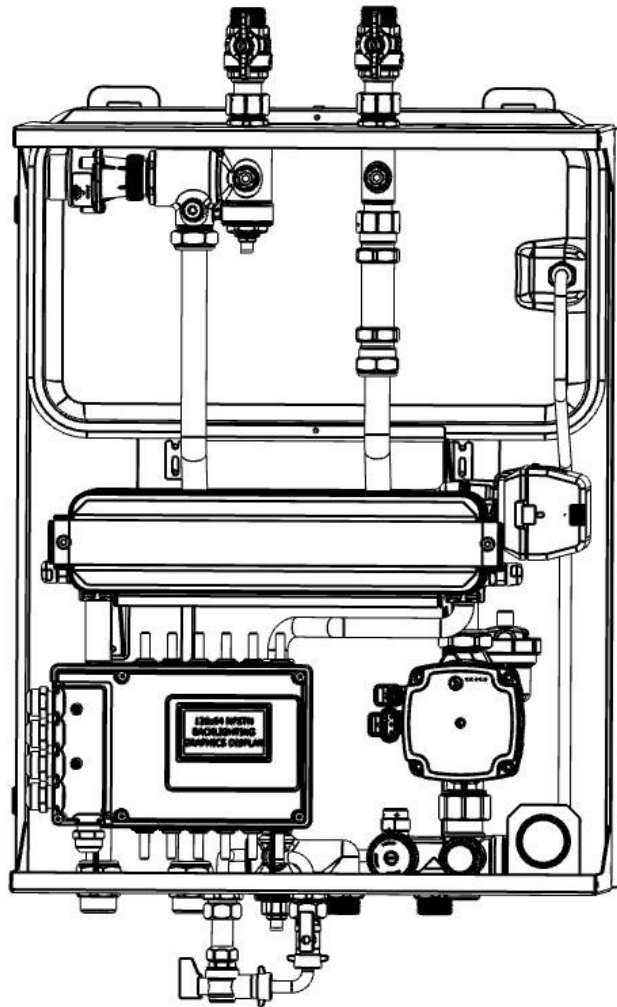


## Prepayment set up



## Heat Interface Unit Instantaneous priority hot water and heating

In this document Inta have endeavoured to make all the information and procedures accurate. Inta cannot accept responsibility should it be found that in any respect the information is inaccurate or incomplete as a result of future developments.

**inta**

Before electrical connection read and comply with the following.



Comply with all safety provisions.



Note that the Room thermostat switching must be **VOLT FREE !!**



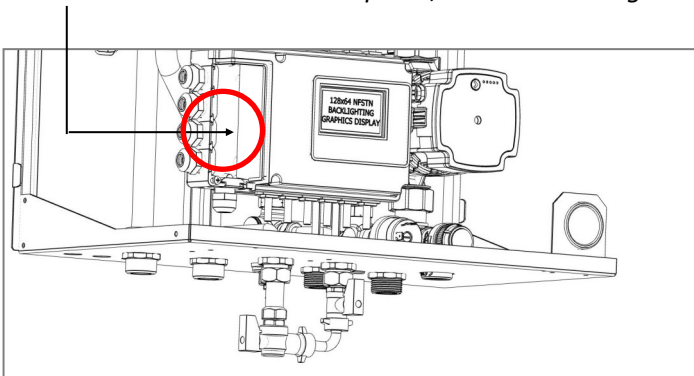
Note that the billing connection for pre-payment function must be **VOLT FREE !!**

The installer is to provide a 230vAC 3 amp fused supply as per BS EN 7671:2008. Entry for cables is provided by 3 x cable glands located beneath the HIU ( at the rear, LHS).  
Live, neutral and earth connections as per the diagram below.

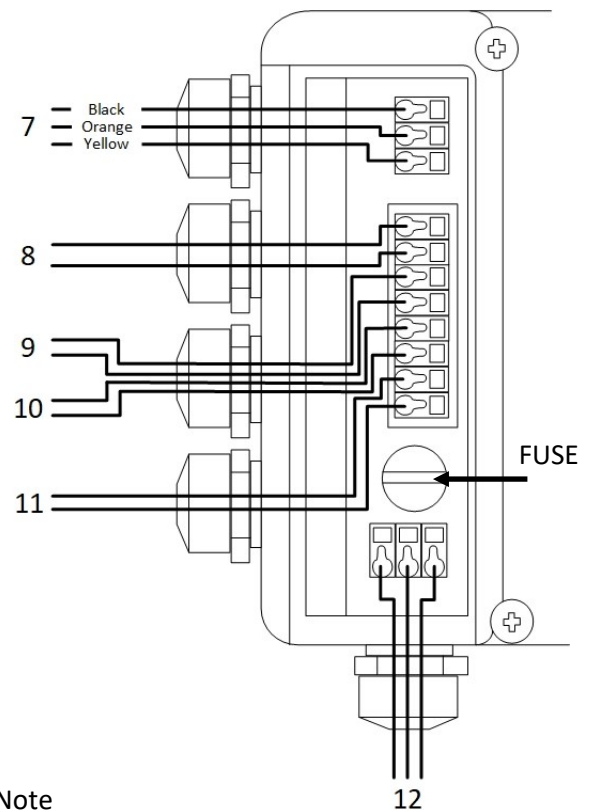
Room thermostat connection as per the diagram below. This is a 2 core cable connection and VOLT FREE.  
The room thermostat switching position is NORMALLY OPEN (though this can be changed to normally closed in the installer level programming of the controller which is covered in the separate programming manual).

Prepayment connection to the billing provider as per the diagram below.  
This is a 2 core cable connection and VOLT FREE.

Electrical connections access panel, remove securing screws to enter



7	CN1 MODBUS 9600K baud connection. 9600 baud means that the serial port is capable of transferring a maximum of 9600 bits per second (bps).
8	ROOM THERMOSTAT—VOLT FREE!
9	OPTIONAL SWITCHING (VOLT FREE—relay required) FOR 2nd pump to LOAD THE OPTIONAL ADDITION OF HOT WATER TANK.
10	Connection for OPTIONAL tank temperature sensor (Type NTC).
11	Pre-payment connection to VOLT FREE supply.
12	Power connection 230V.

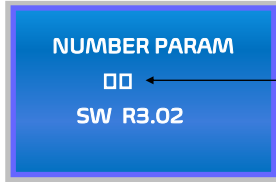


Note  
Internal fuse specification  
630 mA glass fuse



For the installer or commissioning engineer to set new parameters for operating the HIU.

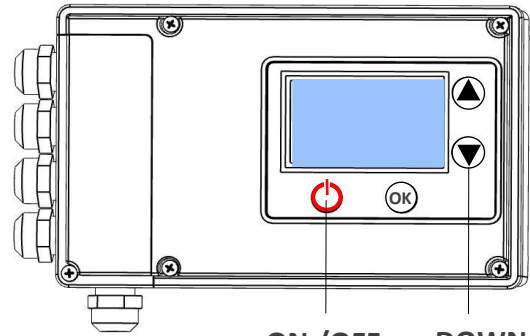
**HOLD both the DOWN arrow button AND THE ON /OFF button at the same time for over 5 seconds**



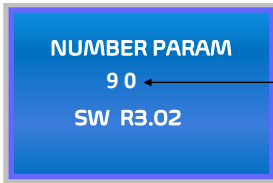
Parameter number

Using the UP and DOWN arrow buttons, on each digit between 0 and 9, set the number

Hiper II HIU electronic PID controller



ON /OFF DOWN



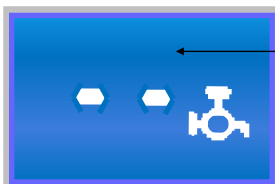
To set to Prepayment, enter into parameter 90



To set to Prepayment, with the UP or DOWN arrow keys. Set to YES



With the screen now showing YES, press the OK key



HIU controller screen display shows the HIU is ready for Operation and in standby mode. The screen also shows the symbol for Keep Warm function ON.





## Prepayment

The HIU can be configured for pre-payment



Screen shows 'in credit' and is 'in standby'.



Screen shows 'out of credit' .  
Heating and hot water are not available.

All hot water and heating services are pre-paid to the billing company managing this property.

The tenant or home owner pays for heat as used to make hot water and heating and measured by the heat meter in the HIU. Here the screen alternates

Approximately every 8 seconds between the CREDIT ON display, and the standby screen, Hot

Should the tenant or home owner fall out of credit, then the billing system will at some stage (according to policy) send a signal to the HIU to shut down.

The screen shows CREDIT OFF.

Heating and hot water will not be available until the payment is made to the billing company at

### Intatec Ltd

Airfield Industrial Estate  
Hixon  
Staffordshire  
ST18 0PF

Tel: **01889 272 180**

Fax: **01889 272 181**

email: **sales@intatec.co.uk**

web: **www.intatec.co.uk**