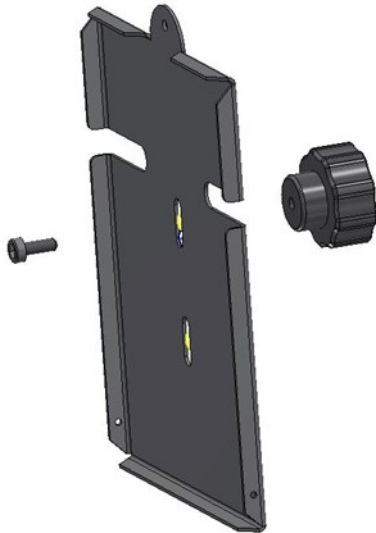
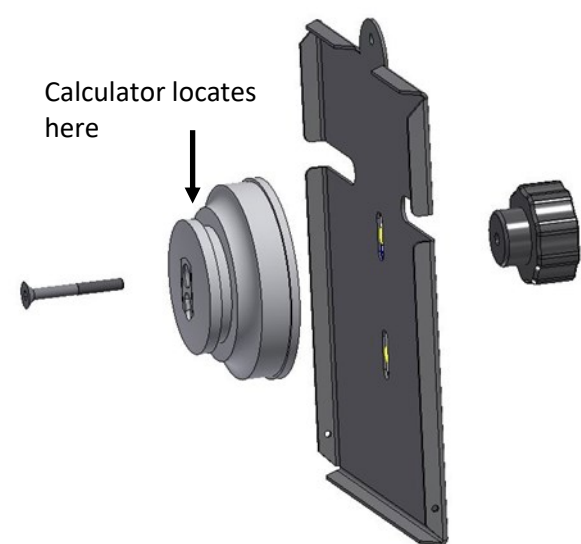


Heat meter calculator NOT fitted to the lift up lid.  
The lid handle with fitted M4 x 10 Screw.



For the installer to fit. This is for HIUs supplied with fitted Zenner Heat Meters and included with the contents. Use the longer fixing screw M4 x 30 and the plastic 'wall' bracket .



Ref	Code	Description	Q.ty
1	9285-005	FLIP UP LID	1
2	9655-005	SCREW M4x10 UNI 9327	1
3	8383-015	M4 HANDLE	1

Ref	Code	Description	Q.ty
1	9285-005	FLIP UP LID	1
2	9680-005	ZENNER WALL BRACKET	1
3	8383-015	M4 HANDLE	1
4	9661-005	SCREW M4x30 COUNTERSUNK HEAD UNI EN ISO 10642	2

