



Flushing bypass kit B part code **H12ACKITB**

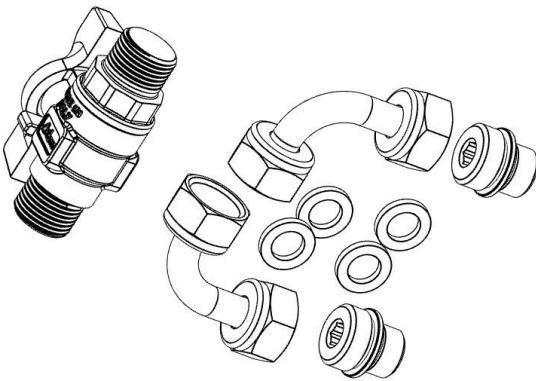
Contents

- 2 qty brass MxM nipples with O ring seals to connect the By pass kit to the block
- 2 qty copper bends with union nuts
- 1 qty isolating ball valve.
- 4 qty fibre gaskets

Description

Flushing bypass kit-B (Fixed connection to HIU with isolation valve to allow or close the bypass.)
 Installed as a fixture inside the HIU, and with the control valve PICV closed the bypass allows flushing of the system without debris accessing the HIU.

The installer should adhere to best practice guide for flushing and on completion always makes sure the bypass is closed or removed



Fitting Instruction



- Before fitting close the isolation valves!
- Drain all water from the upper primary pipework using the drain as shown in Fig 1
- Danger, water may be very hot, risk of scalding!



Best practice
 Refer to ICOM
<http://icom.org.uk/factsheets/>

Water Treatment and Conditioning of Commercial Heating Systems Guide



- Before fitting close the isolation valves!
- Drain all water from the upper primary pipework using the drain as shown in Fig 1
- Danger, water may be very hot, risk of scalding!

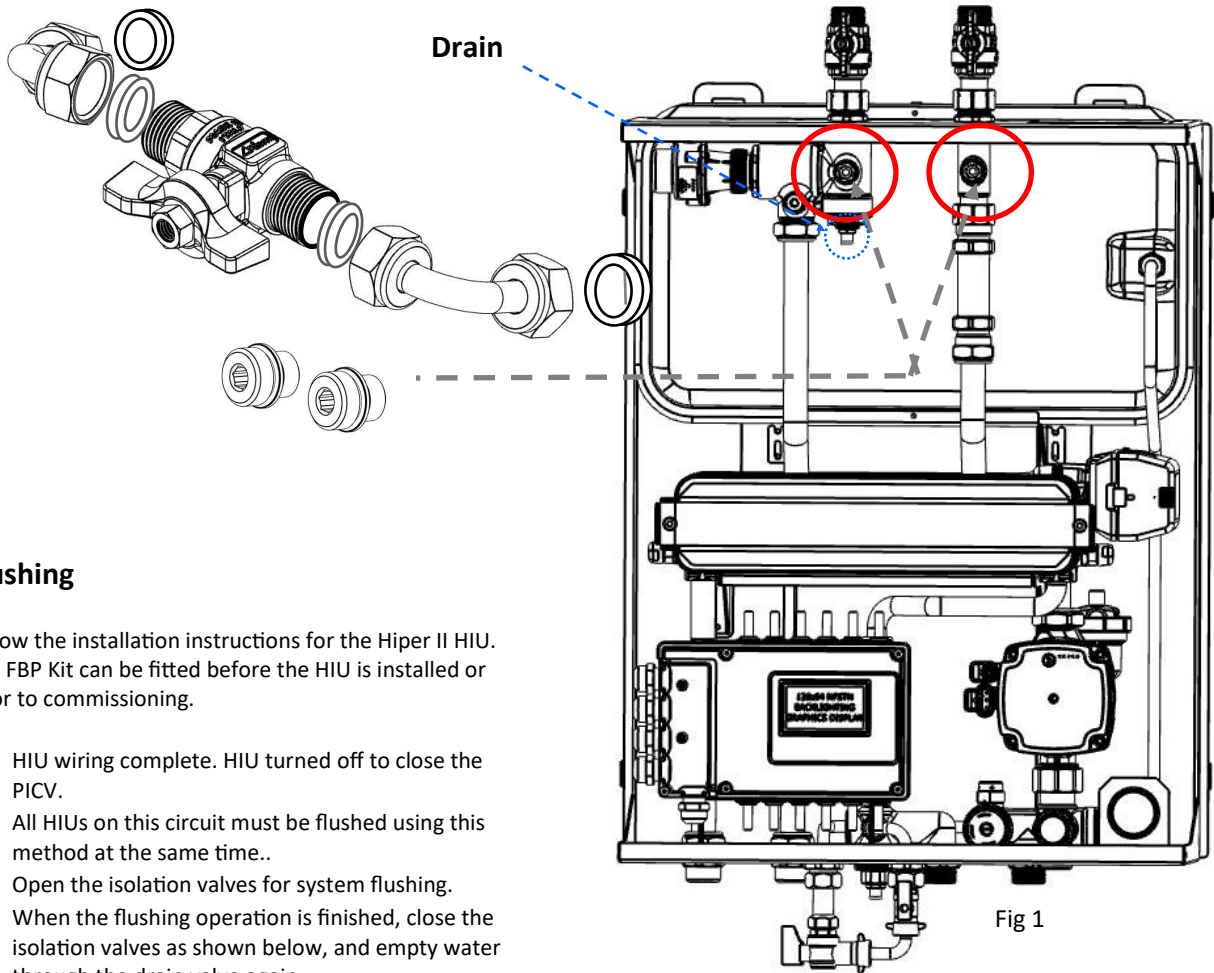
Fitting Instruction

1. After safely isolating and draining the primary side as shown in fig 1, remove the test plugs from the upper primary flow block, and the primary return block.
2. Fit the two brass MxM nipples.
Do not over-tighten, the seal will be made by the O rings.
3. Assemble the elbows and isolation valve, using the fibre gaskets to seal, and tighten the two union nuts on the pipe to the brass MxM nipples to make the joints watertight.



Close the drain plug!

4. Open both primary isolation valves, check for leaks.
5. Ready for flushing



Flushing

Follow the installation instructions for the Hiper II HIU. The FBP Kit can be fitted before the HIU is installed or prior to commissioning.

- HIU wiring complete. HIU turned off to close the PICV.
- All HIUs on this circuit must be flushed using this method at the same time..
- Open the isolation valves for system flushing.
- When the flushing operation is finished, close the isolation valves as shown below, and empty water through the drain valve again.
- Now remove and clean the filter mesh by undoing and removing the filter cap.
- Replace the now clean filter mesh, replace the filter cap. This is part of commissioning section 8, part 4. Sign complete.
- Close the bypass valve **IMPORTANT**
- Open the isolation valves, fill. The HIU is back in operation.



Best practice
Refer to ICOM
<http://icom.org.uk/factsheets/>

Water Treatment and Conditioning of
Commercial Heating Systems Guide



Heating Secondary side please note.
BS 7593 : 2019 for domestic heating systems

- fitting of a permanent in-line filter is required in addition to a chemical clean and fresh water flush before inhibitor is added
- An in-line filter should be fitted to ALL systems
- All recommended cleaning methodologies can be improved with external magnetite capture equipment and mechanical vibration of radiators – IntaKlean Compact*
- A water test is required to test the level of inhibitor and cleanliness of the system every year
- Inhibitor should be re-dosed every five years or a full system water test undertaken.



*IntaKlean Compact
Part code IKCMF34

Intatec Ltd

Airfield Industrial Estate
Hixon
Staffordshire
ST18 0PF

Tel: **01889 272 180**

Fax: **01889 272 181**

email: sales@intatec.co.uk

web: www.intatec.co.uk