

# COMMERCIAL LOCK SHIELD VALVES AND ACCESSORIES



### Introduction

Designed to compliment inta's new range of thermostatic commercial radiator valves, inta offer a complete range of commercial lock shield radiator valves and accessories suitable for any installation.

In addition to conventional lock shield and wheel head valves, as part of our commitment as a supplier to energy efficiency, inta offer a comprehensive range of thermostatic sensors including our A rated EN 215 approved i-therm TRV head, remote LST sensor kit, TRV head with remote sensor and thermo-electric actuators.

As well as increasing the efficiency of your installations, inta has given consideration to increasing the security of them as well by offering an anti-theft collar to prevent thieves from stealing TRV heads and an anti tamper, vandal proof TRV head collar that both prevents the theft of TRV heads and stops end users changing the settings of TRV heads, affecting efficiency.



- Complete range of commercial lock shield and wheelhead valves
- Available in 1/2" and 3/4" BSP threaded connections
- Angled and straight
- Range of anti-tamper, vandal proof accessories available
- Comprehensive range of temperature sensing heads
- Accessories feature our A rated EN 215 i-therm TRV head

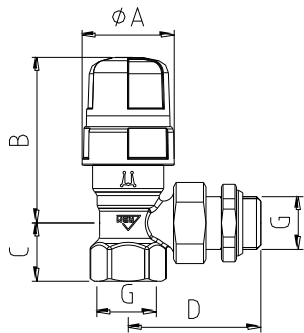
### Product Range

#### Description

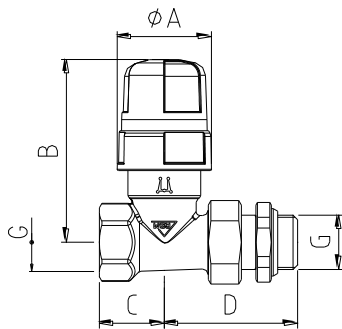
1/2" BSP angled lockshield radiator valve	CLS12A
3/4" BSP angled lockshield radiator valve	CLS34A
1/2" BSP wheelhead angled radiator valve	CW HLS12A
3/4" BSP wheelhead angled radiator valve	CW HLS34A
1/2" BSP straight lockshield radiator valve	CLS12S
3/4" BSP straight lockshield radiator valve	CLS34S
1/2" BSP wheelhead straight radiator valve	CW HLS12S
3/4" BSP wheelhead straight radiator valve	CW HLS34S

# COMMERCIAL LOCK SHIELD VALVES AND ACCESSORIES

### Technical Specification



G	1/2"	3/4"
Ø A	35.5	35.5
B	66	66
C	22.5	28
D	51.5	62.5



G	1/2"	1/2"
Ø A	35.5	35.5
B	70	70
C	24.5	24.5
D	50	58.5