



Product

CBV12 - Inta Combi Ball Valve 1/2"

CBV34B - Inta Combi Ball Valve 3/4" Blue Handle

CBV34R - Inta Combi Ball Valve 3/4" Red Handle

CBV1 - Inta Combi Ball Valve 1"

Technical Specification

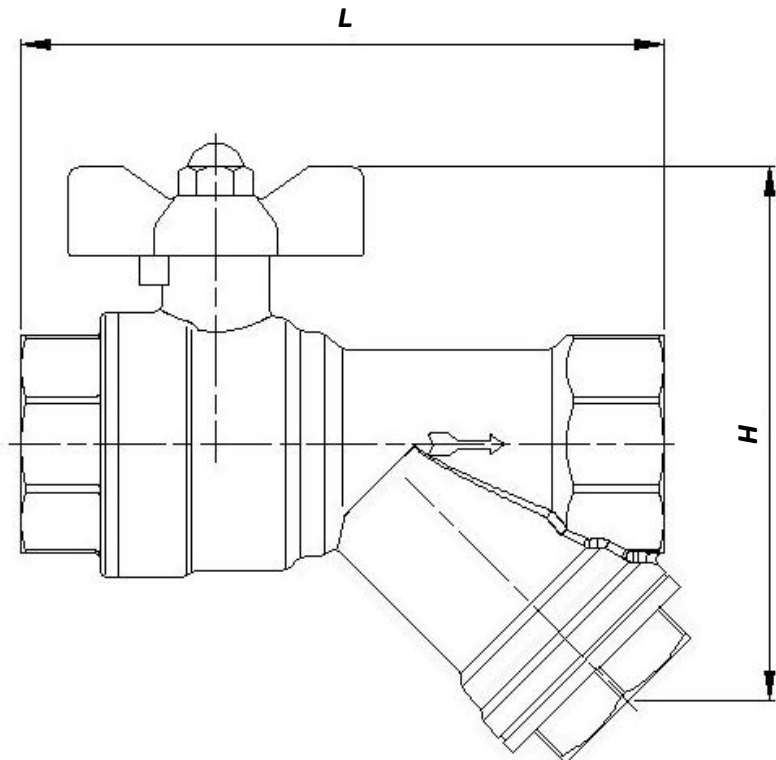
Max Working Pressure:

16 Bar

Max Working Temperature Range:

-20 ~ 150°C

	1/2"	3/4"	1"
L	78mm	92mm	112mm
H	66mm	83mm	98mm



Additional Information

Ball valve with 'Y' filter

400 micron stainless steel filter mesh

Full bore fitting

Solid brass construction

Suitable for hot and cold water

PN 16 pressure rating