



## Product

### INTAFIL PLUS SEALED SYSTEM KIT INCLUDING VESSEL

## Technical Specification

Code	ØD	H	E	C	pre-charge	Max. working pressure
IFP4	225	195	-	3/4"	1.5 bar	5 bar
IFP8	220	295	-	3/4"	1.5 bar	5 bar
IFP12	294	281	-	3/4"	2 bar	4 bar
IFP18	290	400	-	3/4"	2 bar	4 bar
IFP24	324	415	-	3/4"	2 bar	4 bar
IFP35	404	387	119	3/4"	2 bar	4 bar
IFP50	407	507	157	3/4"	2 bar	4 bar

The intafil sealed system kit including a filling loop, double check valve and isolating ball valve assembly, ball valve and safety relief valve with gauge.

**Max Working Temperature:** 70°C  
**Max Peak Temperature:** 90°C  
**Min Temperature:** 4°C  
**Safety Relief Valve Discharge Pressure:** 3 Bar  
**Max Glycol Concentration:** 50%  
**Vessel Shell & Connections - Carbon Steel**

**Vessel Membrane: Synthetic Butyl Rubber (SBR)**  
**Diaphragm According to DIN4807-3**

**Vessel Colour: Red**  
**Coating: Epoxy-Polyester Powder Finish**

## Additional Information

Manual set point indicator

Suitable for retro fit and new build projects

Provides complete flexibility for installation orientation

Complies with G24.1 and G24.2 of the water regulations

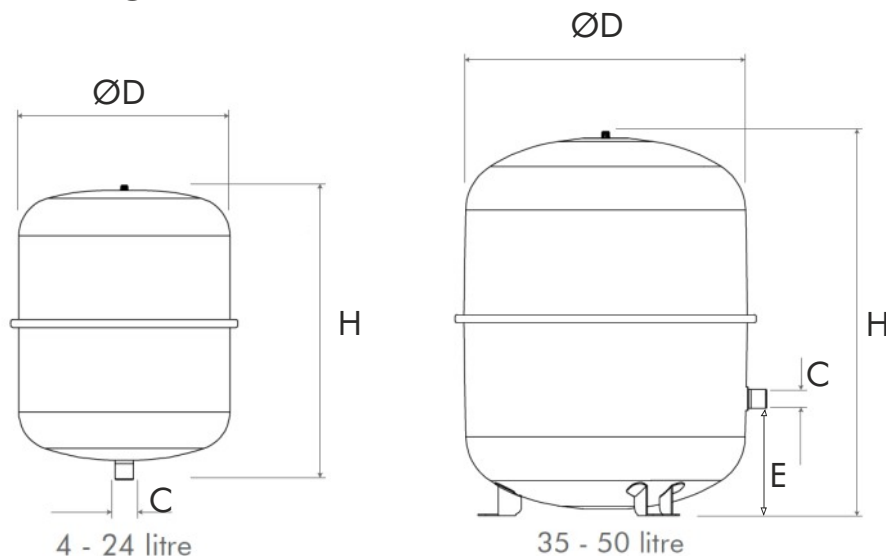
Supplied with wall mounting bracket (where applicable)

360° rotatable connection

Fully CPR compliant

SRV - CE1115 / Expansion vessel - CE0036

## Drawings



Intatec, Airfield Industrial Estate, Hixon, Stafford, ST18 0PF  
 T. 01889 272180 F. 01889 272181 E. [sales@intatec.co.uk](mailto:sales@intatec.co.uk)

[www.intatec.co.uk](http://www.intatec.co.uk)

07/25  
E&OE