



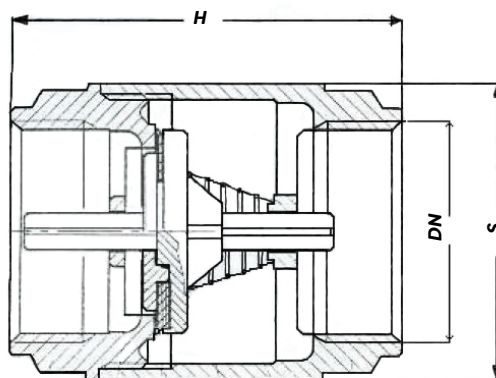
## Product

<b>NRV0860050</b>	<b>Single non return valve 1/2" FxF connection</b>
<b>NRV0860075</b>	<b>Single non return valve 3/4" FxF connection</b>
<b>NRV0860100</b>	<b>Single non return valve 1" FxF connection</b>
<b>NRV0860125</b>	<b>Single non return valve 1 1/4" FxF connection</b>
<b>NRV0860150</b>	<b>Single non return valve 1 1/2" FxF connection</b>
<b>NRV0860200</b>	<b>Single non return valve 2" FxF connection</b>
<b>NRV3082250</b>	<b>Single non return valve 2 1/2" FxF connection</b>
<b>NRV3082300</b>	<b>Single non return valve 3" FxF connection</b>
<b>NRV3082400</b>	<b>Single non return valve 4" FxF connection</b>

## Technical Specification

<b>Max pressure 1/2" to 2" (static)</b>	<b>16 bar</b>
<b>Max pressure 2 1/2" to 4" (static)</b>	<b>6 bar</b>
<b>Min operating pressure (dynamic)</b>	<b>0.04 bar</b>
<b>Operating temperature</b>	<b>0 to 80°C</b>

## Drawing



Size (G)	DN [mm]	H [mm]	S [mm]
1/2"	15	62	34
3/4"	20	67	44
1"	25	82	53
1 1/4"	32	70	58.5
1 1/2"	40	94.5	73.5
2"	50	100	90.5
2 1/2"	65	91	101
3"	80	105	110
4"	100	118	154

## Additional Information

**Prevents cross-flow**

**Controls water flow direction**

**Low noise**

**Soft seat**

**Complete range of double check valves also available.**

## Flow rate and Pressure Drop

