



## Product Range

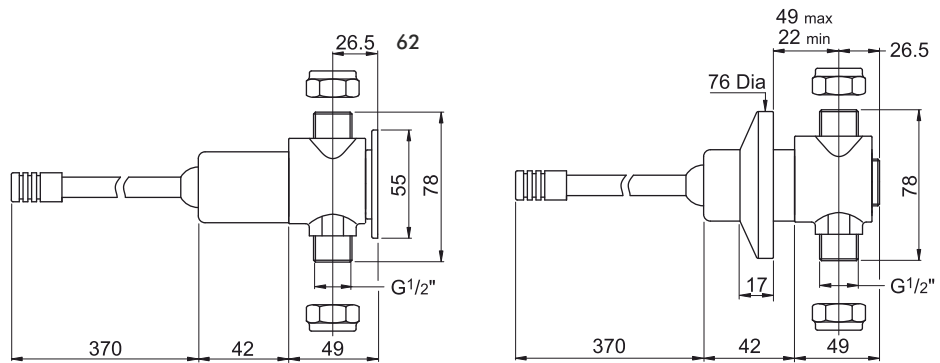
**LO810CP - Wall mounted knee operated timed flow multi-directional valve (exposed)**

**LO820CP - Wall mounted knee operated timed flow multi-directional valve (concealed)**

## Technical Specification

Max Inlet Pressure:	5 bar
Min Inlet Pressure:	0.1 bar
Max Inlet Temperature:	65°C
Flow Time:	15+/- 3 seconds at 3 bar
Inlet Connection:	15mm
Outlet Connection:	15mm

## Drawings



## Additional Information

**Water saving timed flow**

**Hygenic**

**Easy to install**

**Ideal for wide range of applications**

**Chrome and white finish**

## Flow Rate Graph

