

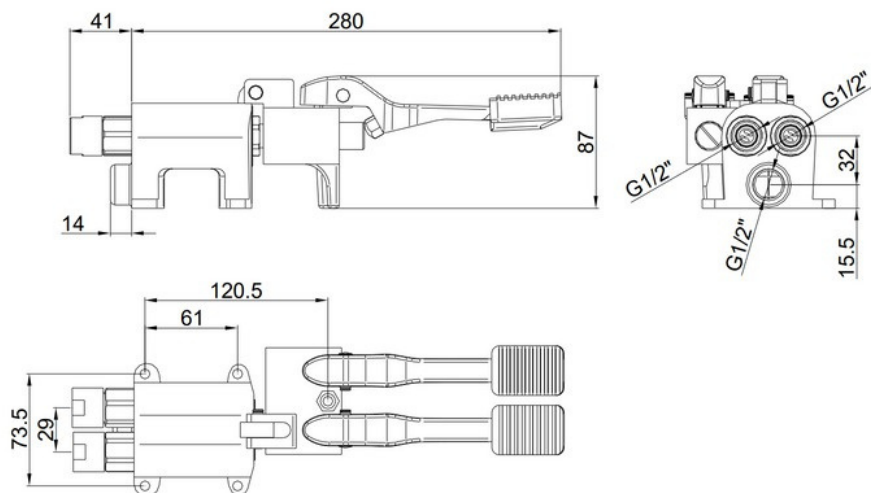
## Product

**LO801CP - Foot operated floor mounted mixing pedal tap with stop pedal for continuous flow**

## Technical Specification

<b>Max Inlet Pressure:</b>	<b>8 bar</b>
<b>Min inlet Pressure:</b>	<b>0.5 bar</b>
<b>Inlet Temperature Range:</b>	<b>5 - 65°C</b>
<b>Inlet Connections:</b>	<b>G1/2" (x2)</b>
<b>Outlet Connections:</b>	<b>G1/2"</b>

## Dimensions



## Additional Information

**Pedal operated progressive mixer**

**Stop for continuous flow**

**Hygienic**

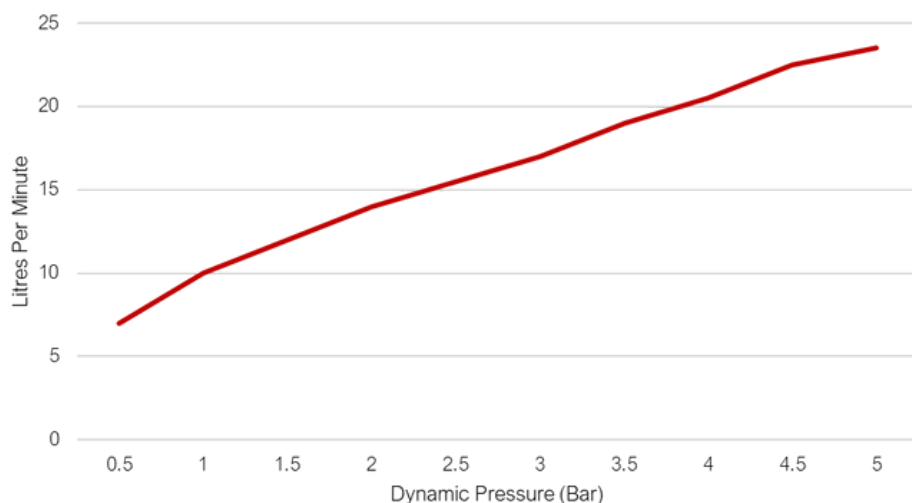
**Robust construction**

**Easy to install**

**Wide range of applications**

**kV = 0.59 (m<sup>3</sup>/h)**

## Flow Graph



Scan for Further Information