

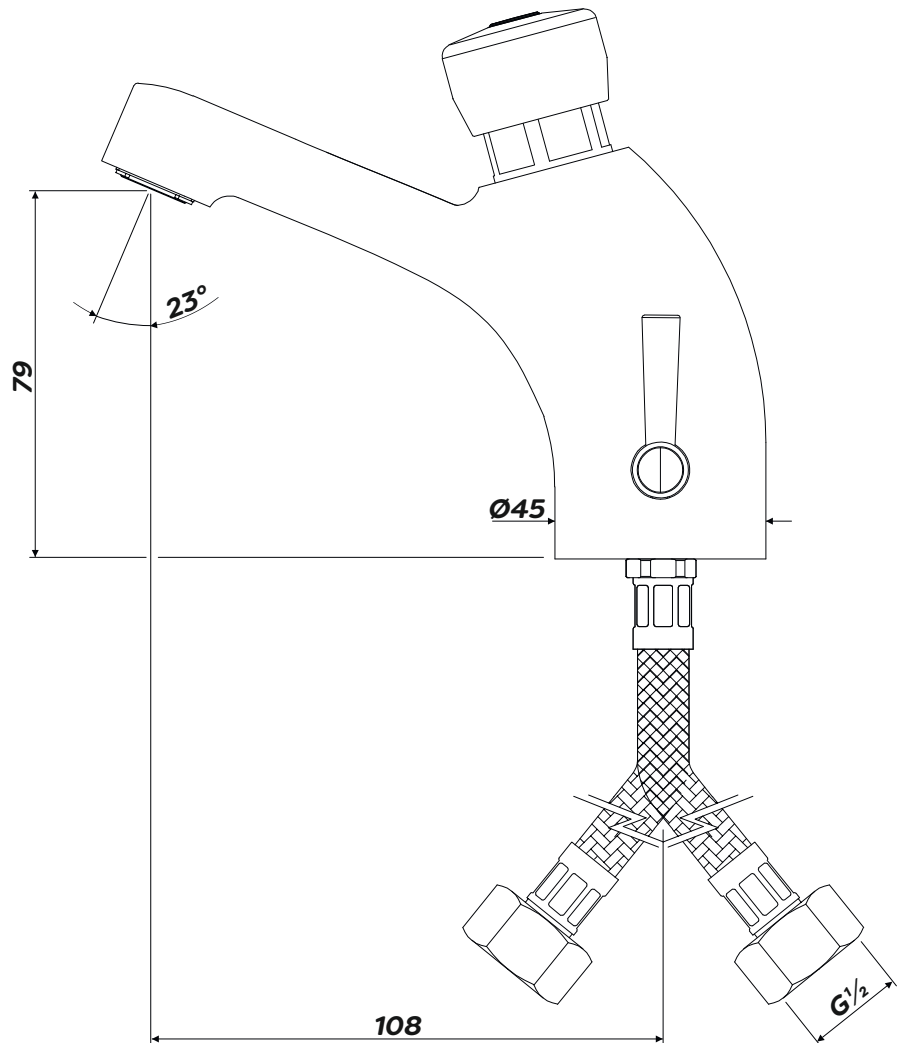


## **Product**

**NC180CP - Non Concussive Basin Mounted Tap with Adjustable Temperature Control (15 Seconds)**

## **Technical Specification**

<b>Max Inlet Pressure (static):</b>	<b>10 Bar</b>
<b>Min Inlet Pressure (dynamic):</b>	<b>0.2 Bar</b>
<b>Max Inlet Temperature:</b>	<b>65°C</b>
<b>Timed Flow (NC180CP):</b>	<b>15 +/- 3 Seconds</b>
<b>Max Basin Thickness:</b>	<b>38mm</b>
<b>Inlet Connections:</b>	<b>G 1/2" Flexible Tails</b>



## **Additional Information**

**Non concussive operation & durable design makes the tap ideal for high use environments such as gyms**

**The tap shuts off automatically after a set period of time, reducing water usage**

**Designed for use with the Intamix range of thermostatic mixing valves**

**Temperature adjustable control**

**Suitable for use with unvented supplies, combi boilers, gravity and mains pressure systems**