



Quick release isolation valves

Domestic Automatic Air Vents

Code	Description
AAV07911500B	Automatic Air vent 15mm
AAV079103800	Automatic Air vent 3/8"
AAV079105000B	Automatic Air vent 1/2"
AAV079103850	Automatic Air vent 3/8" with quick release isolation valve
AAV079105050	Automatic Air vent 1/2" with quick release isolation valve

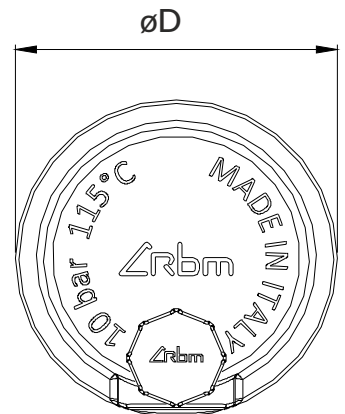
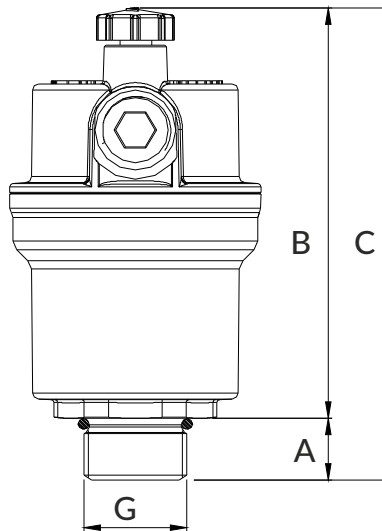
Technical Specification

Max pressure (static): 10 Bar
 Max discharge pressure: 6 Bar
 Max fluid water temperature: 115°C
 Fluid type: Water or Water / Glycol (30%) mix

G	A	B	C	Ø D
3/8"	10	66.9	76.9	40.4
1/2"	11.5	66.9	78.4	40.4
15mm	20.6	68	88.6	40.4

Note - Red plug to be unscrewed by half turn at installation for air removal.

Drawings



Additional Information

Automatically discharges air build up

Improves efficiency

Available with 15mm, 3/8" or 1/2" connection

Range of high capacity air separators available

Quick release isolation valve available

Eliminates noisy system pipework

Solid brass construction

Intatec, Airfield Industrial Estate, Hixon, Stafford, ST18 0PF

T. 01889 272180 F. 01889 272181 E. sales@intatec.co.uk

www.intatec.co.uk

05/23
E&OE



Scan for Further Information