



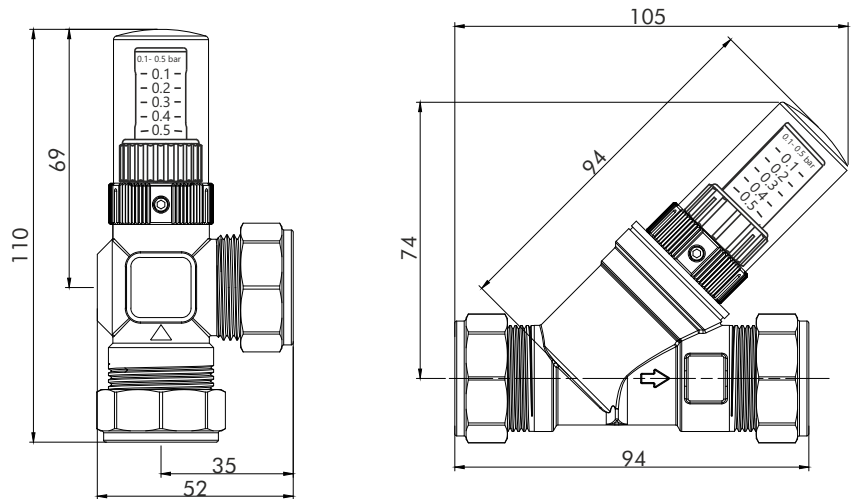
Anti Tamper By-Pass Valves

Code	Description
ABPA22AT	Anti tamper by-pass valve angled 22mm connection
ABPS22AT	Anti tamper by-pass valve straight 22mm connection

Technical Specification

Maximum working pressure	10 bar
Maximum working temperature	100°C
Flow capacity	1 to 5m ³ / hour
Differential pressure range	0.1 to 0.5 bar

Drawings



Additional Information

Anti tamper head

Automatically stabilises flow

Easily adjustable

Available with 22mm angled or straight connections

Easily Visible dial on the valve

Protects the pump from pumping against closed head

Flow chart and Kv values

