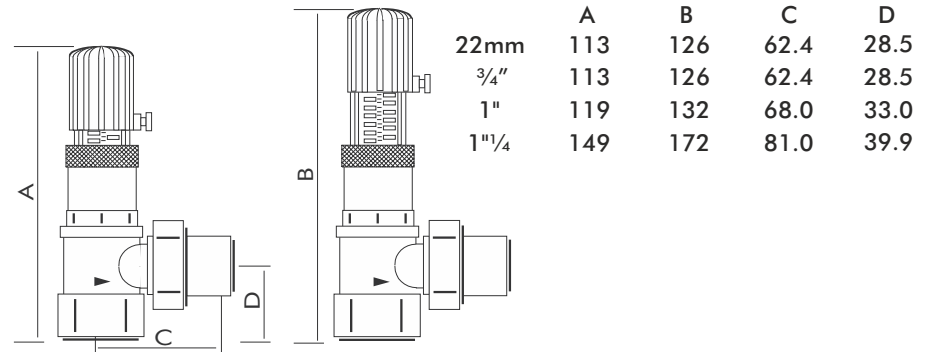


Brass Automatic Differential Bypass Valves

Code	Description
BP01242200	Automatic differential by-pass valve 22mm connection
BP012407500	Automatic differential by-pass valve 3/4" MxF connection
BP012410000	Automatic differential by-pass valve 1" MxF connection
BP012412500	Automatic differential by-pass valve 1 1/4" MxF connection

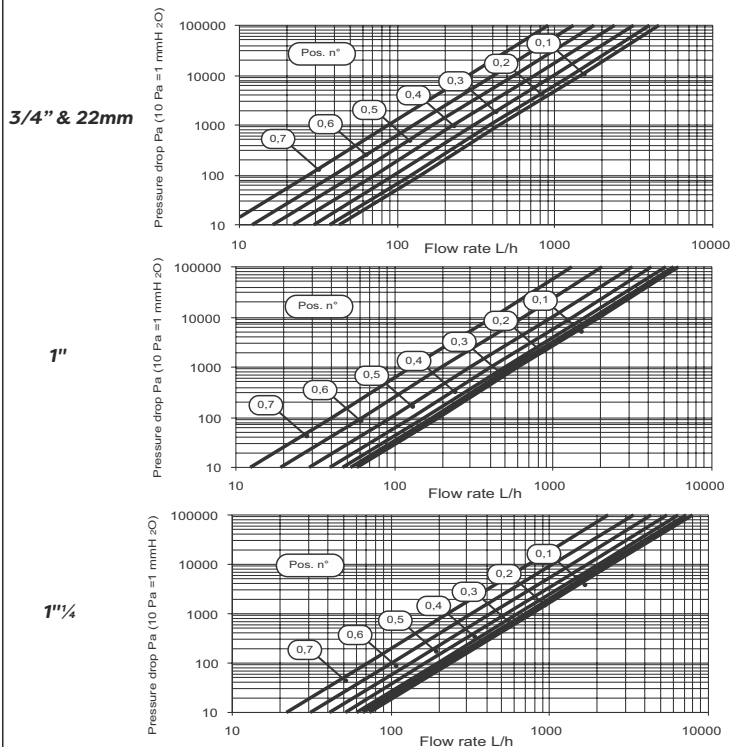


Drawing



Flow Rate & Pressure Drop

3/4" & 22mm		1"		1 1/4"	
Position	Kvs (m ³ /h)	Position	Kvs (m ³ /h)	Position	Kvs (m ³ /h)
0.7	0.90	0.7	1.32	0.7	2.35
0.6	1.30	0.6	2.05	0.6	3.35
0.5	1.75	0.5	3.11	0.5	4.40
0.4	2.36	0.4	4.20	0.4	5.50
0.3	3.15	0.3	5.10	0.3	6.50
0.2	4.00	0.2	5.70	0.2	7.20
0.1	4.60	0.1	6.20	0.1	7.70



Additional Information

- Improves boiler efficiency
- Decreases system component wear
- Reduces energy consumption
- Helps eliminate noisy system pipe work
- Flow capacity 1 - 7m³/h
- Maximum working temperature 110°C
- Maximum static pressure 10 bar
- Maximum working pressure 7 bar
- Automatically stabilises flow

