



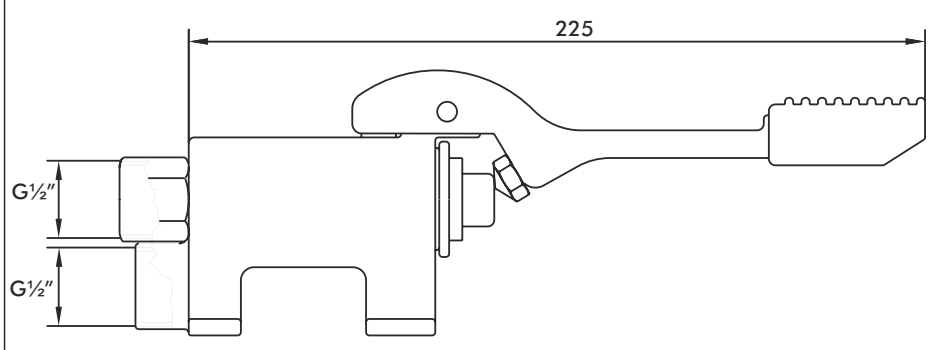
Product

LO802CP - Foot operated floor mounted progressive Mixing pedal tap

Technical Specification

Max inlet pressure	8 bar
Min inlet pressure	0.5 bar
Inlet temperature range	5-65°C
Inlet connections	G1/2" (x2)
Outlet connections	G1/2"

Drawing



Additional Information

Delivers water in a controlled hygienic way

Robust construction

Durable

Easy to install

Pedal operated progressive mixer

Vandal resistant

Ideal for wide range of applications

Flow Graph

