

SOLAR RATED MOTORISED VALVES

Introduction

Inta's range of two and three port solar rated motorised valves have been specifically designed to cope with the high temperature demands of solar circulating systems. Available as a two port or three port diverter valve and in sizes up to 1" or 28mm, inta's comprehensive range will suit the needs of any domestic solar installation.

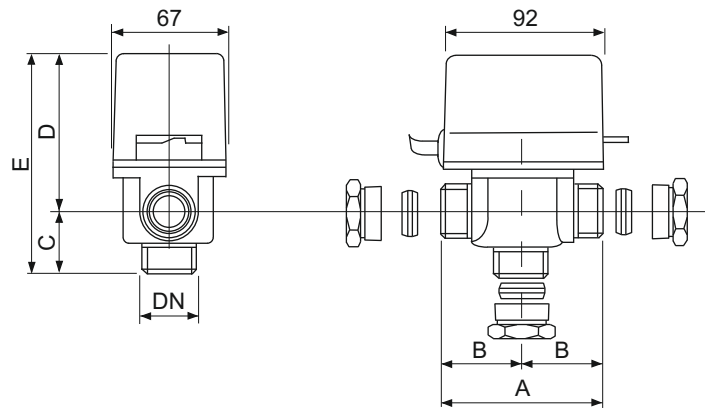
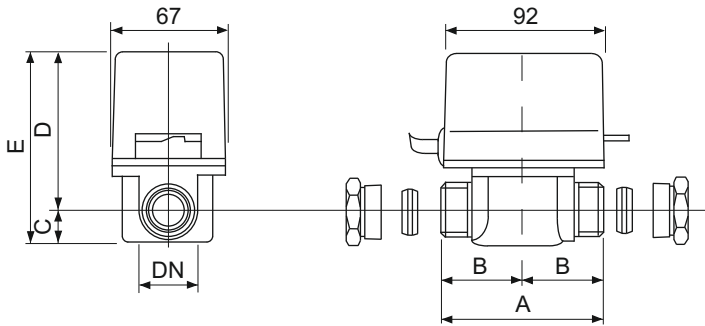


- Available in a comprehensive range of sizes
- Can be fitted on both solar and conventional installations
- Supplied with one or two auxillary switches on request
- Manual override to centre the ball in fault conditions
- 230 volt rated supply
- Manufactured to IP22 IEC 529
- Maximum working pressure 10 bar
- Maximum flow temperature 160°C
- Maximum room temperature 60°C
- Standard cable length 500mm

Description	No. of Wires	AUX Switch	Code
22mm solar two port zone valve	3	NO	SMV2530
22mm solar two port zone valve	5	YES	SMV2430
28mm solar two port zone valve	5	YES	SMV2431
22mm solar three port diverter valve	5	YES	SMV3417
28mm solar three port diverter valve	5	YES	SMV3418
3/4" solar three port diverter valve	5	YES	SMV3411
1" solar three port diverter valve	5	YES	SMV3387
1 1/4" solar three port diverter valve	5	YES	SMV3560

SOLAR RATED MOTORISED VALVES

Technical Data



Two Port Valves

Dimensions

Size	A	B	C	D	E
22mm	106	46	20	85	105
28mm	120	46	20	85	105

Flow Rate

Size	Kvs
22mm	8 m ³ /h
28mm	10 m ³ /h

Three Port Valves

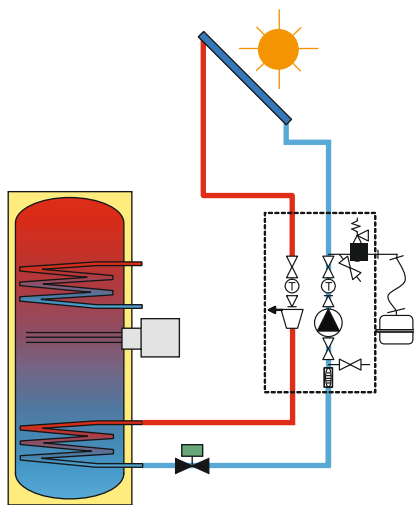
Dimensions

Size	A	B	C	D	E
22mm	106	53	53	84	139
28mm	120	60	60	88	148
3/4"	92	46	46	84	130
1"	92	46	46	88	134

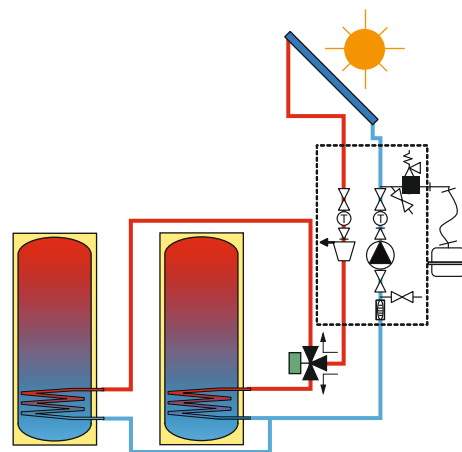
Flow Rate

Size	Kvs
22mm / 3/4"	8 m ³ /h
28mm / 1"	12.6 m ³ /h

Typical Installations



anti-gravity shut off using a two port valve



priority loading through a three port valve

