

FLOW BALANCING VALVES

Introduction

Inta's flow balancing valves are used to maintain a desired constant flow rate distributed through the whole system despite varying differential pressure ranges within the system. Correct use of the balancing valves can result in optimum system performance providing energy and cost efficiencies



- Accurately controls the flow rate of system fluid
- Helps evenly distribute heat across the system
- Improves system efficiency and reduces energy costs
- Pressure test points on the body
- Range of sizes available - 1/2" - 2" & DN65 - DN300
- PTFE seals
- Suitable for water/glycol mixes up to 50%



Product Range

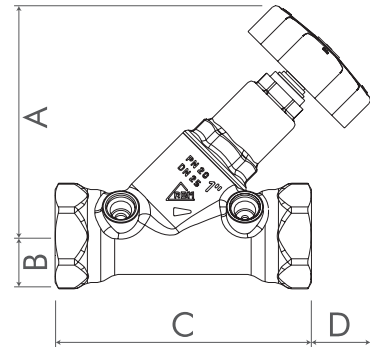
Description	Code
1/2" flow balancing valve with dial	FBV061905050
3/4" flow balancing valve with dial	FBV061907550
1" flow balancing valve with dial	FBV061910050
1 1/4" flow balancing valve with dial	FBV061912550
1 1/2" flow balancing valve with dial	FBV061915050
2" flow balancing valve with dial	FBV061920050
DN65 flow balancing valve with dial	FBV0619DN65
DN80 flow balancing valve with dial	FBV0619DN80
DN100 flow balancing valve with dial	FBV0619DN100
DN125 flow balancing valve with dial	FBV0619DN125
DN150 flow balancing valve with dial	FBV0619DN150
DN200 flow balancing valve with dial	FBV0619DN200
DN250 flow balancing valve with dial	FBV0619DN250
DN300 flow balancing valve with dial	FBV0619DN300
1/8" pointer adaptors for gauge	PA0932018
1/8" pressure take offs	PT0621018
portable electronic metering system	TK0622



FLOW BALANCING VALVES

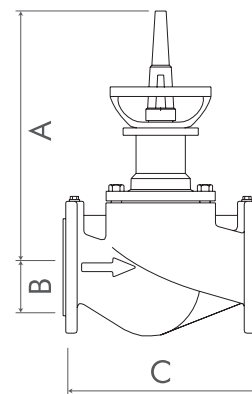
Flow Balancing Valve with Dial

code	size	A (mm)	B (mm)	C (mm)	D (mm)
FBV061905050	1/2"	84	15	96	22
FBV061907550	3/4"	85.6	17.8	97	21.5
FBV061910050	1"	98	21.3	103.3	29.5
FBV061912550	1 1/4"	101	28	111	29
FBV061915050	1 1/2"	107	31	120	27
FBV061920050	2"	115	37	132	21.9

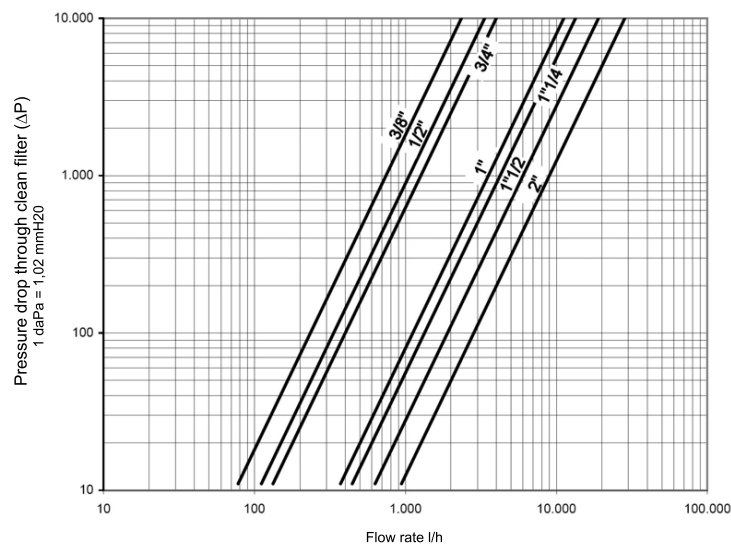


Flanged Flow Balancing Valve

code	size	A (mm)	B (mm)	C (mm)	kg
FBV0619DN65	DN65	365	92.5	290	18.5
FBV0619DN80	DN80	395	93	200	24.5
FBV0619DN100	DN100	430	110	350	40
FBV0619DN125	DN125	495	125	400	79
FBV0619DN150	DN150	530	142	480	91
FBV0619DN200	DN200	665	170	600	170
FBV0619DN250	DN250	600	202	730	265
FBV0619DN300	DN300	685	230	850	360



Pressure Drop Graph



AIRFIELD INDUSTRIAL ESTATE, HIXON, STAFFORD, ST18 0PF
 T. 01889 272180 F. 01889 272181 SALES@INTATEC.CO.UK
 WWW.INTATEC.CO.UK