



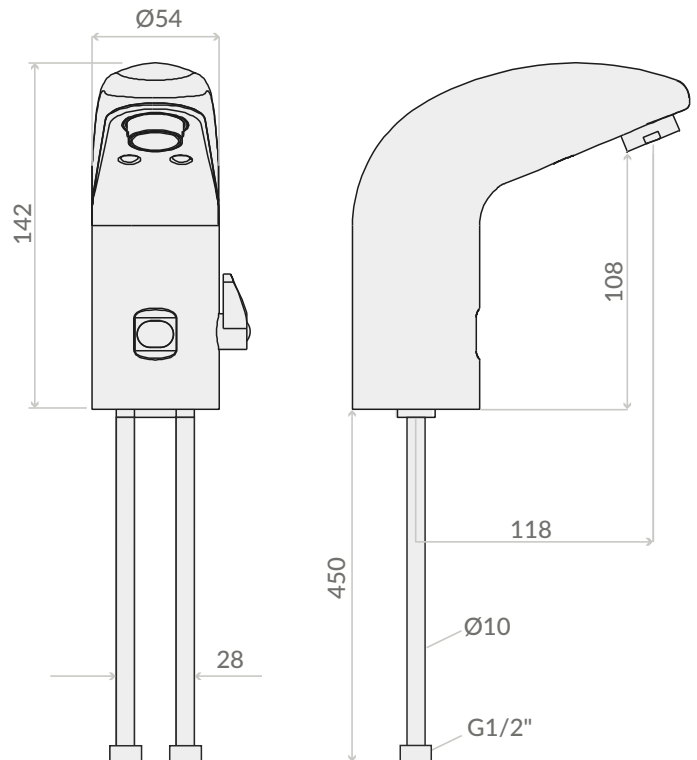
Product

IR180CP - Infrared minimalistic temperature adjustable basin-mounted tap c/w flexi tails (battery operated)

Technical Specification

Max Inlet Pressure (static):	8 Bar
Min Inlet Pressure (dynamic):	1 Bar
Max Inlet Temperature:	70°C
Max Basin Thickness	26mm

Drawings



Additional Information

24 hour automatic Anti-Stagnation hygienic flushing cycle.

Automatically shuts down water flow after 60 seconds if the sensor is covered.

Temperature adjustable

Prevents water waste and energy

Automatic calibration of the sensor field

Easy, above basin access to the battery

Copper inlet connections

Various flow rate options available

Infrared control, hygienic touch free operation

Flow Regulation Valves

WVL154	15mm Light flow regulating ball valve with 4 L/min cartridge
WVL154SW	15mm Light flow regulating swivel ball valve with 4 L/min cartridge
WVL156	15mm Light flow regulating ball valve with 6 L/min cartridge
WVL156SW	15mm Light flow regulating swivel ball valve with 6 L/min cartridge
WVL158	15mm Light flow regulating ball valve with 8 L/min cartridge
WVL158SW	15mm Light flow regulating swivel ball valve with 8 L/min cartridge

