



Product

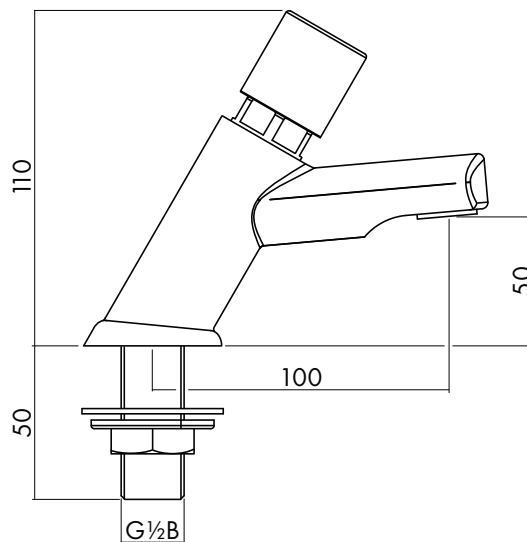
NC177 CP adjustable flow time non concussive basin mounted tap with anti-block feature (pairs)

NC177 CP(S) adjustable flow time non concussive basin mounted tap with anti-block feature (single)

Technical Specification

Max Inlet Pressure	10 Bar
Min Inlet Pressure	0.5 Bar
Max Inlet Temperature	65°C
Timed flow (Factory Set)	15 (±5) seconds at 1 bar
Adjustable Flow Time Range	3±2 to 30+5/-10 Seconds at 3 bar

Drawing



Additional Information

Adjustable flow time ranging from 3 to 30 seconds

2ltr, 4ltr and 5ltr flow regulator options available

Non concussive operation

Closes automatically

Anti-block feature

Simple operation

Water economy

Flow Graph

