



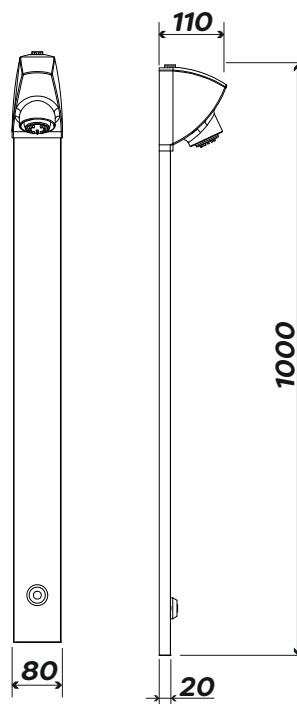
Product

SP9206CP - i-Sport Shower Panel with Timed Flow Control & Vandal Resistant Head (Top Inlet)

SP9207CP - i-Sport Shower Panel with Timed Flow Control & Vandal Resistant Head (Back Inlet)

Technical Specification

Max Inlet Pressure (static):	5 Bar
Min Inlet Pressure (dynamic):	1 Bar
Max Inlet Temperature:	60°C
Flow Time at 3 Bar:	30 Seconds +5/-10
Inlet Connections:	G1/2"
Flow Rate:	8 L/min with optional Flow Regulator



Additional Information

All-in-one compact design

Top or back inlet connection models available

8 Litres per minute optional flow regulator

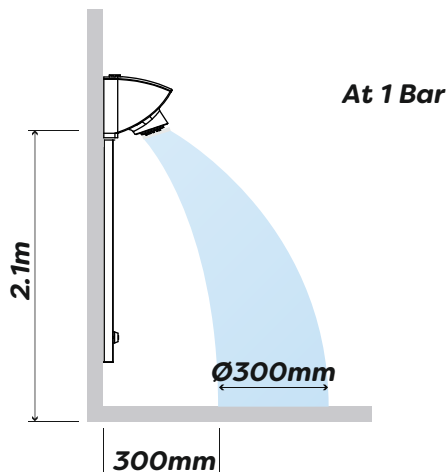
Directional control shower head

Anti limescale rub-clean head

WRAS approved

Designed for use with our Intamix range of thermostatic mixing valves

Spray Pattern



Scan for Spares Sheet

Scan for Installation & Maintenance Instructions

Intatec, Airfield Industrial Estate, Hixon, Stafford, ST18 0PF

T. 01889 272180 F. 01889 272181 E. sales@intatec.co.uk

www.intatec.co.uk

04/22
E&OE