

Product

WM12C	½" cold water meter
WM34C	¾" cold water meter
WM01C	1" cold water meter
WM12H	½" hot water meter
WM34H	¾" hot water meter

Technical Specification

Maximum Reading (m3):	99999,9999
Minimum Reading (litres):	0.05
Pressure Loss (ΔP):	ΔP < 63 AT Q3
Max Pressure:	16 Bar
Max Temperature:	30°C

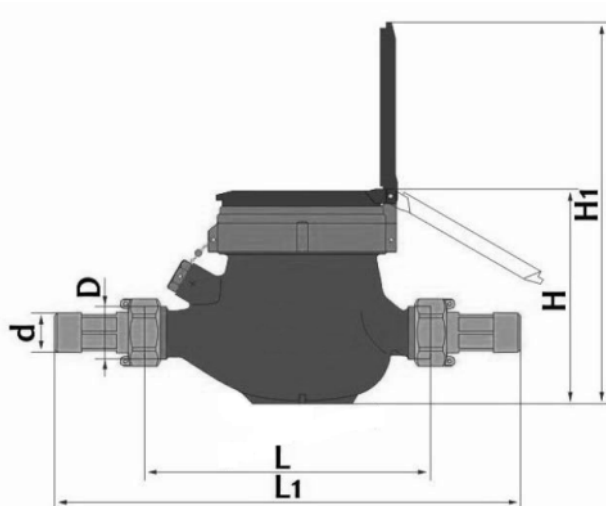
Part Codes:	WM12C	WM34C	WM01C	WM12H	WM34H
Maximum Flow Rate (m3/h):	3.125	5	7.875	3.125	5
Nominal Flow Rate (m3/h):	2.5	4	6.3	2.5	4
Transition Flow Rate (l/h):	50	80	126	50	80
Minimum Flow Rate (l/h):	21.25	50	78.75	21.25	50

Weights (Kg):	1.680	1.880	2.920	1.680	1.880
---------------	-------	-------	-------	-------	-------

Kv value:	3.2	5.4	6.9	11.4	22.5
Kv = 0.59 (m3/h)					

Dimensions

Part Code	d	D	H1	L	L1	H
WM12C/WM12H	½"	¾"	191	165	259	107.5
WM34C/WM34H	¾"	1"	191	190	294	107.5
WM01C	1"	1¼"	206.5	260	380	117.5



Additional Information

Brass body with anti-corrosion coating

Pressure loss class ΔP63

Comes with anti tamper locking mechanism

ISO class B classification for horizontal installation

Meets the requirements of standard ISO 4064-1: 2014

Supplied with unions

Water meter accuracy: class 2

UKCA approval

5 Dial readings for precise and accurate readings see IOM for further information

