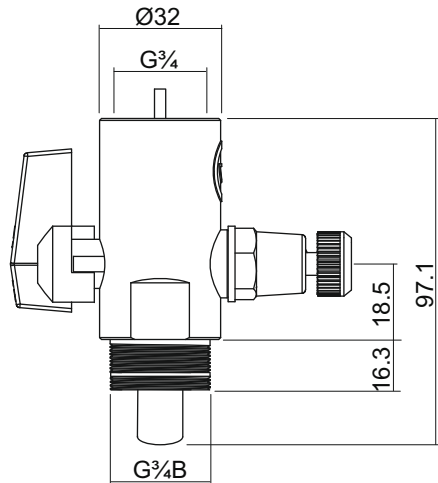


## ***FTV34.1 Flow-Through Valve Installation and Maintenance Instructions***



### **Description**

I-Ball Vortex is designed to be used with expansion vessels with a  $\frac{3}{4}$ " BSP connection.

### **Function**

The I-Ball Vortex Flow Through Valve has been specifically designed and engineered to aid the installation and operation of expansion vessels on fluid systems, and actively reduces the risk of water stagnation in vessels during periods of non-use.

I-Ball Vortex features a unique fully lockable isolation valve handle to reduce the chance of any unauthorized operation.

The isolation valve allows operatives to access the expansion vessel quickly and efficiently for servicing and maintenance procedures.

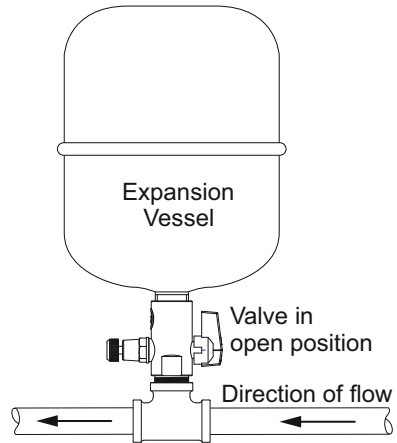
## Installation

Screw the Flow-Through valve to the  $\frac{3}{4}$ " connection thread on the expansion vessel and make a water tight joint (35 Nm's).

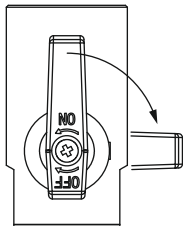
The Flow-Through valve can be screwed into an 'T' piece with a G $\frac{3}{4}$  top connection or a pump booster set with a dedicated  $\frac{3}{4}$ " port.

The 'T' piece (not supplied) should be installed into the pipework prior to fitting valve and expansion vessel assembly.

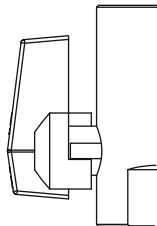
The pipework must be adequately supported and depending upon the size of the expansion vessel additional bracketing may be required to prevent the assembly from rotating.



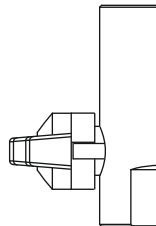
## Locking Feature



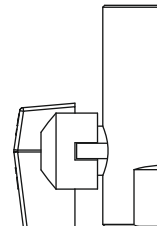
Valve open  
rotate clockwise  
to close



Valve open  
unlocked



Valve closed  
unlocked



Valve open  
locked

The valve can be locked in both the open and closed positions by removing the lever retaining screw and pull the lever away from the valve, rotating through 180° and re-fitting so that the notch in the lever fits over the lug on the body. Refit and tighten the lever retaining screw.

E & O.E

In this procedure document we have endeavoured to make the information as accurate as possible. We cannot accept any responsibility should it be found that in any respect the information is inaccurate or incomplete or becomes so as a result of further developments or otherwise.

**Intatec Ltd**, Airfield Industrial Estate, Hixon, Staffordshire, ST18 0PF

Tel: **01889 272 180** email: [sales@intatec.co.uk](mailto:sales@intatec.co.uk) web: [www.intatec.co.uk](http://www.intatec.co.uk)