



CE
1115

Safety Relief Valve 1/2" M x 15mm with Gauge

SRVG035405025	2.5 bar SRV 1/2" male x 15mm with gauge
SRVG035405003	3 bar SRV 1/2" male x 15mm with gauge
SRVG035405006	6 bar SRV 1/2" male x 15mm with gauge
SRVG035405007	7 bar SRV 1/2" male x 15mm with gauge
SRVG035405008	8 bar SRV 1/2" male x 15mm with gauge

Safety Relief Valve 3/4" Swivel Nut x 15mm with Gauge

SRVG353SW05003	3 bar SRV 3/4" swivel nut x 15mm with gauge
----------------	---

Safety Relief Valve F x F with Gauge

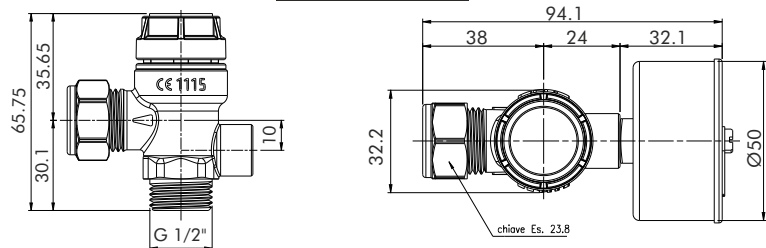
SRVG035305025	2.5 bar SRV 1/2" with gauge
SRVG035305003	3 bar SRV 1/2" with gauge
SRVG035305006	6 bar SRV 1/2" with gauge
SRVG035305007	7 bar SRV 1/2" with gauge
SRVG035305008	8 bar SRV 1/2" with gauge
SRVG035307525	2.5 bar SRV 3/4" with gauge
SRVG035307503	3 bar SRV 3/4" with gauge
SRVG035307506	6 bar SRV 3/4" with gauge
SRVG035307507	7 bar SRV 3/4" with gauge
SRVG035307508	8 bar SRV 3/4" with gauge

Safety Relief Valve 1/2" M x F with Gauge

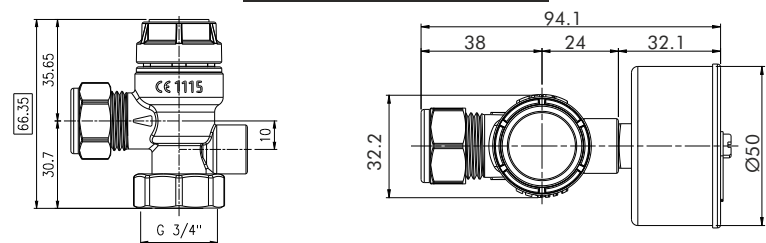
SRVG035205003	3 bar SRV 1/2" with gauge
SRVG035205006	6 bar SRV 1/2" with gauge

Drawings

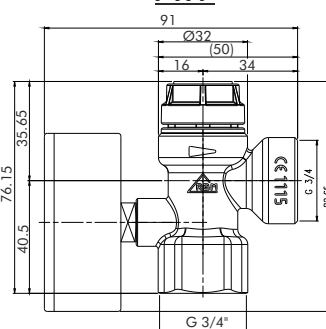
1/2" M x 15mm



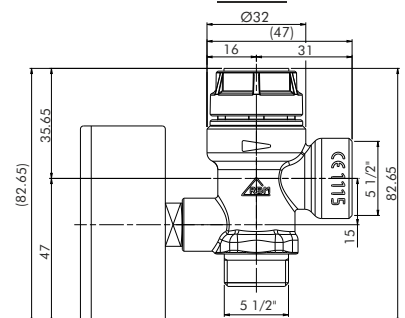
3/4" Swivel Nut x 15mm



F x F



M x F



Additional Information

Available with 1/2" or 3/4" FxF and MxF connections

Options available without gauge or gauge port

Brass CW602N (EN12165) body

Max Temperature 90°C

Max static pressure 10 Bar

Meets the requirements of european directive 97/23/CE

Prevents damage to heating systems by relieving excess pressure

Range of factory set discharge pressures available

Built in accordance to EN4126-1

Intatec, Airfield Industrial Estate, Hixon, Stafford, ST18 0PF

T. 01889 272180 F. 01889 272181 E. sales@intatec.co.uk

www.intatec.co.uk



Scan for Further Information