

Product

FTV34.1 - 3/4" Flow Through Valve

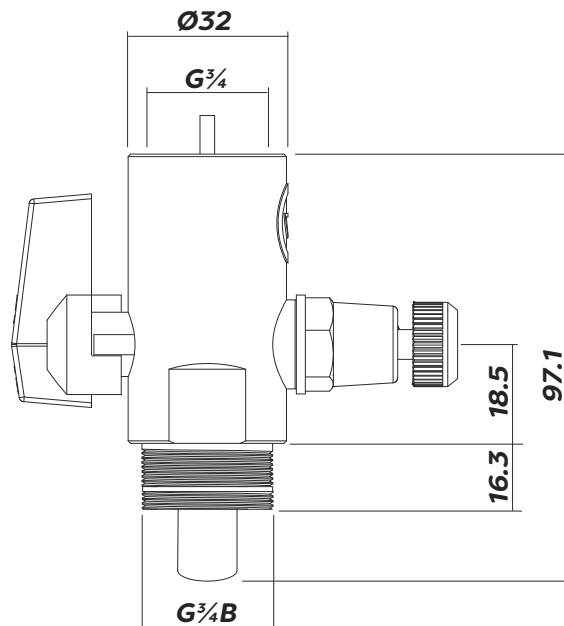
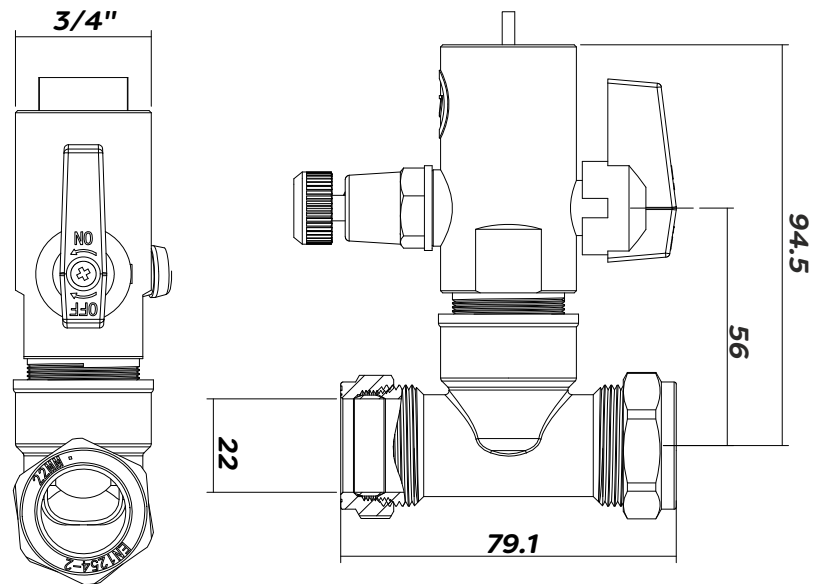
FTV22.1 - 22mm Flow Through Valve with T Piece

Technical Specification

Max Temperature: 85°C

Max Pressure (Static): 16 Bar

Drawings



Additional Information

Helps to reduce the risk of stagnated water within expansion vessels

Drain valve incorporated into the valve body to enable quick and efficient maintenance schedules

Fully lockable Anti-Tamper control handle

Isolation valve to enable vessel removal

Removable vessel paddle for cleaning and maintenance

The ideal solution to help comply with HSG274 (Part 2) guidelines

WRAS Approved

