



NC252CP



NC253CP

Product

NC252CP - Exposed Thermostatic Timed Flow Non-Concussive Mixer Shower with Temperature Adjustment

NC253CP - Concealed Thermostatic Timed Flow Non-Concussive Mixer Shower with Temperature Adjustment

Technical Specification

Max Inlet Pressure (static):	5 Bar
Min Inlet Pressure (dynamic):	0.5 Bar
Max Inlet Temperature:	65°C
Temperature Stability:	+/-2°C
Inlet Connections:	1/2" BSP
Outlet Connections:	15mm Compression
Flow Time at 1 Bar:	15 ± 3 Seconds
Min Temperature Differential Between Hot Inlet & Mixed Outlet to Achieve Cold Water Failsafe:	10°C

Additional Information

Non-concussive operation

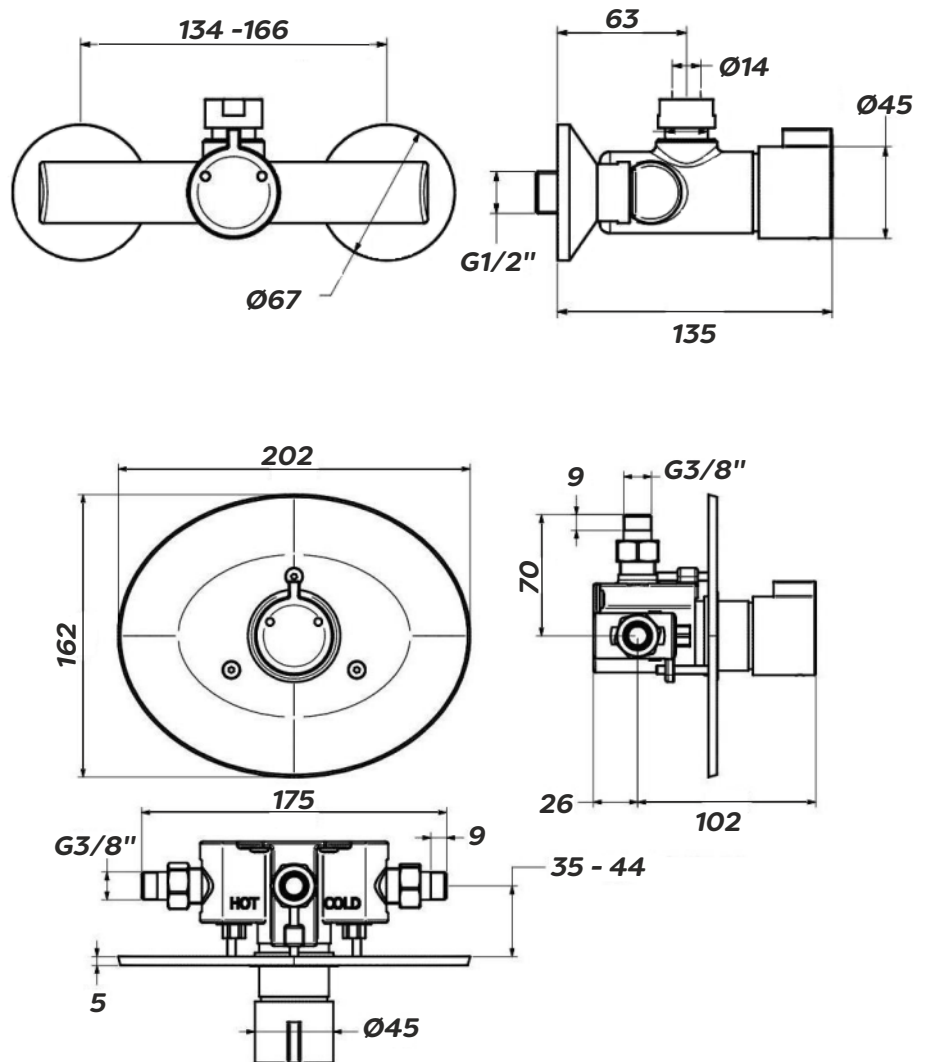
Adjustable temperature control

Vandal resistant heads to suite

Concealed or exposed

The shower automatically closes after approximately 15 seconds, reducing water wastage

Ideal for high use applications, such as leisure centres and washrooms



Scan for Further Information

Intatec, Airfield Industrial Estate, Hixon, Stafford, ST18 0PF

T. 01889 272180 F. 01889 272181 E. sales@intatec.co.uk

www.intatec.co.uk