

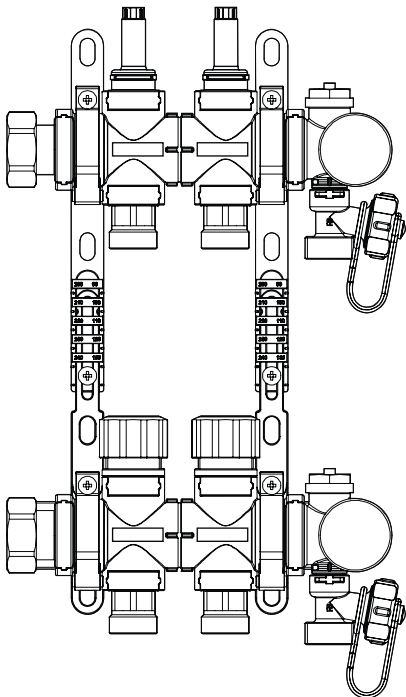
UNDERFLOOR POLYMER MANIFOLDS



Introduction

Inta's range of polymer manifolds and accessories are a lightweight and durable alternative to traditional brass manifolds which may not be suitable due to the limitations of the installation.

- Low Condensation on cooling
- Robust polymer construction
- Adjustable manifold centres
- Low pressure drop
- High quality brass threads moulded into polymer manifolds
- Flat face manifold end connection

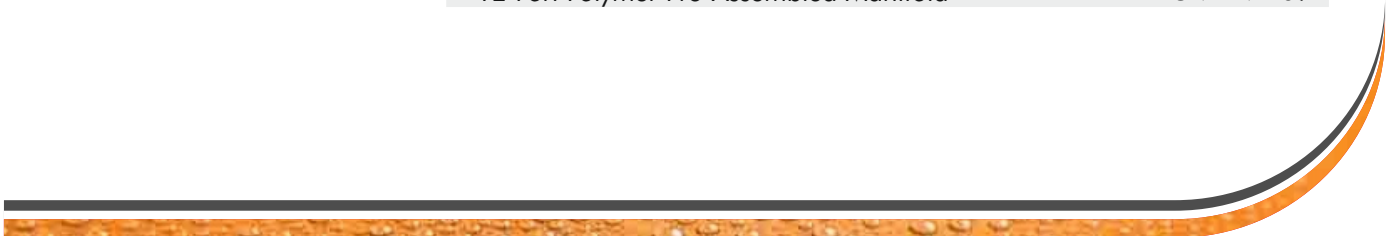


Product Range

Description

Code

Description	Code
2 Port Polymer Pre-Assembled Manifold	POMANPB02
3 Port Polymer Pre-Assembled Manifold	POMANPB03
4 Port Polymer Pre-Assembled Manifold	POMANPB04
5 Port Polymer Pre-Assembled Manifold	POMANPB05
6 Port Polymer Pre-Assembled Manifold	POMANPB06
7 Port Polymer Pre-Assembled Manifold	POMANPB07
8 Port Polymer Pre-Assembled Manifold	POMANPB08
9 Port Polymer Pre-Assembled Manifold	POMANPB09
10 Port Polymer Pre-Assembled Manifold	POMANPB07
11 Port Polymer Pre-Assembled Manifold	POMANPB08
12 Port Polymer Pre-Assembled Manifold	POMANPB09



UNDERFLOOR POLYMER MANIFOLDS

Dimensions

CODE	L	D
POMANPB02	216	50
POMANPB03	266	50
POMANPB04	316	50
POMANPB05	366	50
POMANPB06	416	50
POMANPB07	466	50
POMANPB08	516	50
POMANPB09	566	50
POMANPB10	616	50
POMANPB11	703	50-87
POMANPB12	753	50-87

