



Commercial Automatic Air Vents

CAAV38B	3/8" all brass Commercial AAV (5 bar discharge)
CAAV12B	1/2" all brass Commercial AAV (5 bar discharge)
CAAV12B10	1/2" all brass Commercial AAV (10 bar discharge)

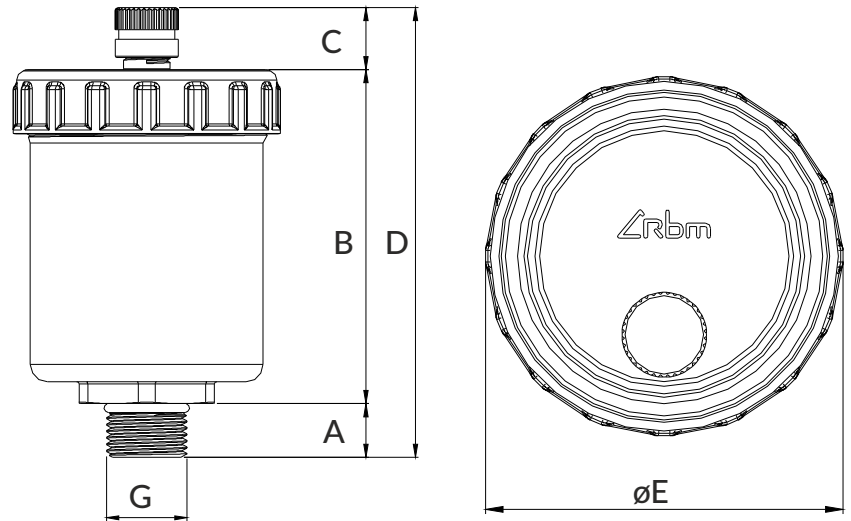
Technical Specification

Max pressure (static):	10 Bar
Max discharge pressure:	5-10 Bar
Max fluid water temperature:	115°C
Fluid type:	Water or Water / Glycol (30%) mix

Part Code	G	A	B	C	D	Ø E	Max Discharge Pressure
CAAV38B	3/8"	11	68.4	12.7	92.1	55	5 bar
CAAV12B	1/2"	11.5	68.4	12.7	92.6	55	5 bar
CAAV12B10	1/2"	11.5	86.4	12.7	110.6	55	10 bar

Note: Red plug to be unscrewed by half turn at installation for air removal.

Drawing



Additional Information

Automatically discharges air build up

Improves efficiency

Available with 3/8" or 1/2" connection

Range of high capacity air separators available

Quick release isolation valve available

Eliminates noisy system pipework

Solid brass construction

