



*WRAS approval relates to only SRV0353SW0475 & SRV0353SW060



Safety Relief Valve 1/2" M x 15mm without Gauge

SRV035405003	3 bar SRV 1/2" male x 15mm without gauge
SRV035405006	6 bar SRV 1/2" male x 15mm without gauge
SRV035405007	7 bar SRV 1/2" male x 15mm without gauge
SRV035405008	8 bar SRV 1/2" male x 15mm without gauge

Safety Relief Valve 3/4" Swivel Nut x 15mm without Gauge

SRV0353SW05003	3 bar SRV 3/4" swivel nut x 15mm without gauge
SRV0353SW0475*	4.75 bar SRV 3/4" swivel nut x 15mm without gauge
SRV0353SW060*	6 bar SRV 3/4" swivel nut x 15mm without gauge

*supplied without gauge port

Safety Relief Valve F x F without Gauge

SRV035105025	2.5 bar SRV 1/2" female x female
SRV035105003	3 bar SRV 1/2" female x female
SRV035105006	6 bar SRV 1/2" female x female
SRV035105007	7 bar SRV 1/2" female x female
SRV035105008	8 bar SRV 1/2" female x female
SRV035107525	2.5 bar SRV 3/4" female x female
SRV035107503	3 bar SRV 3/4" female x female
SRV035107506	6 bar SRV 3/4" female x female
SRV035107507	7 bar SRV 3/4" female x female
SRV035107508	8 bar SRV 3/4" female x female

Safety Relief Valve 1/2" M x F without Gauge

SRV035205025	2.5 bar SRV 1/2" male x female
SRV035205003	3 bar SRV 1/2" male x female
SRV035205006	6 bar SRV 1/2" male x female
SRV035205007	7 bar SRV 1/2" male x female
SRV035205008	8 bar SRV 1/2" male x female

Additional Information

Available with 1/2" or 3/4" FxF and MxF connections

Options available with gauge

Brass CW602N (EN12165) body

Max Temperature 90°C

Max static pressure 10 Bar

Meets the requirements of european directive 97/23/CE

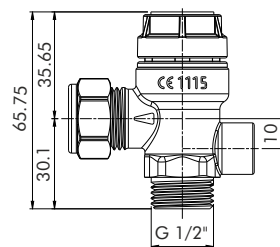
Prevents damage to heating systems by relieving excess pressure

Range of factory set discharge pressures available

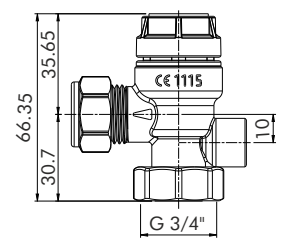
Build in accordance to EN4126-1

Drawings

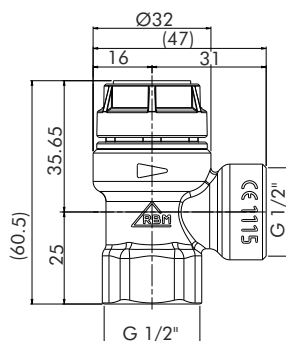
1/2" M x 15mm



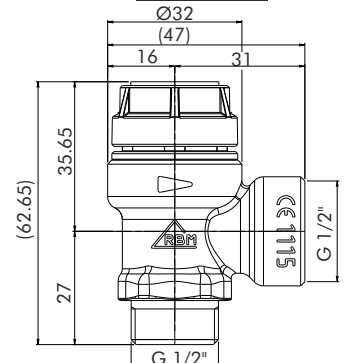
3/4" Swivel Nut x15mm



F x F



1/2" F x M



Scan for Further Information

Intatec, Airfield Industrial Estate, Hixon, Stafford, ST18 0PF

T. 01889 272180 F. 01889 272181 E. sales@intatec.co.uk

www.intatec.co.uk