



## Product

Code	Colour	Description
DM601WH	White	Doc M 6Ltr close coupled WC pack with white rails
DM601BL	Blue	Doc M 6Ltr close coupled WC pack with blue rails
DM601GR	Grey	Doc M 6Ltr close coupled WC pack with grey rails
DM601CR	Chrome	Doc M 6Ltr close coupled WC pack with chrome rails

## Pack Contents

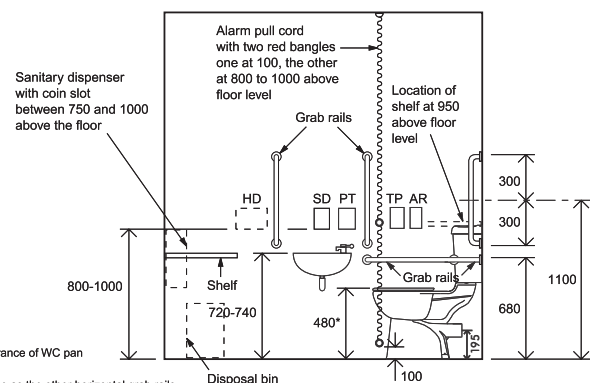
**WC Suite** - Close Coupled HO Pan, 6ltr Close Coupled Cistern, Spatula Lever, Seat Ring and Hinges

**Basin** - 450mm Basin - 2 Tap Holes, 1 1/4" Basin Waste, Tap Hole Stopper, Sequential Basin Mixer Tap, Bottle Trap, Wall Fixing Brackets

**Rails** - 600mm Support Rails (x 5), Hinged Support Rail with Toilet Roll Holder (x 1)

**Basin Mixer Tap** - Lever Operated Basin Mixer Tap

## Drawings

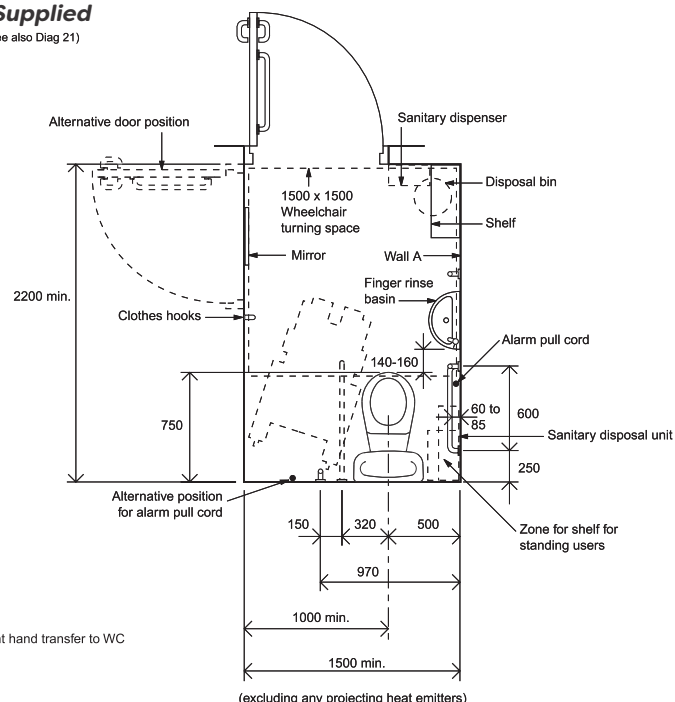


\*Height subject to manufacturing tolerance of WC pan

Height of drop-down rails to be the same as the other horizontal grab rails

### Additional Items - Not Supplied

HD: Possible position for automatic hand dryer (see also Diag 21)  
 SD: Soap dispenser  
 PT: Paper towel dispenser  
 AR: Alarm reset button  
 TP: Toilet paper dispenser



Note  
 Layout for right hand transfer to WC

(excluding any projecting heat emitters)

## Additional Information

Close coupled and Low level packs available

Complies with document M of the Building Regulations and BS8300:2018

TMV3 approved packs available

Operating pressure range of 0.1 to 5 bar

Available with white, blue grey or chrome rails

