



Product

Solar Plus Floor Standing Expansion Vessels

Technical Specification

Materials

Shell: Carbon Steel

Membrane: ZILAN Solar Membrane

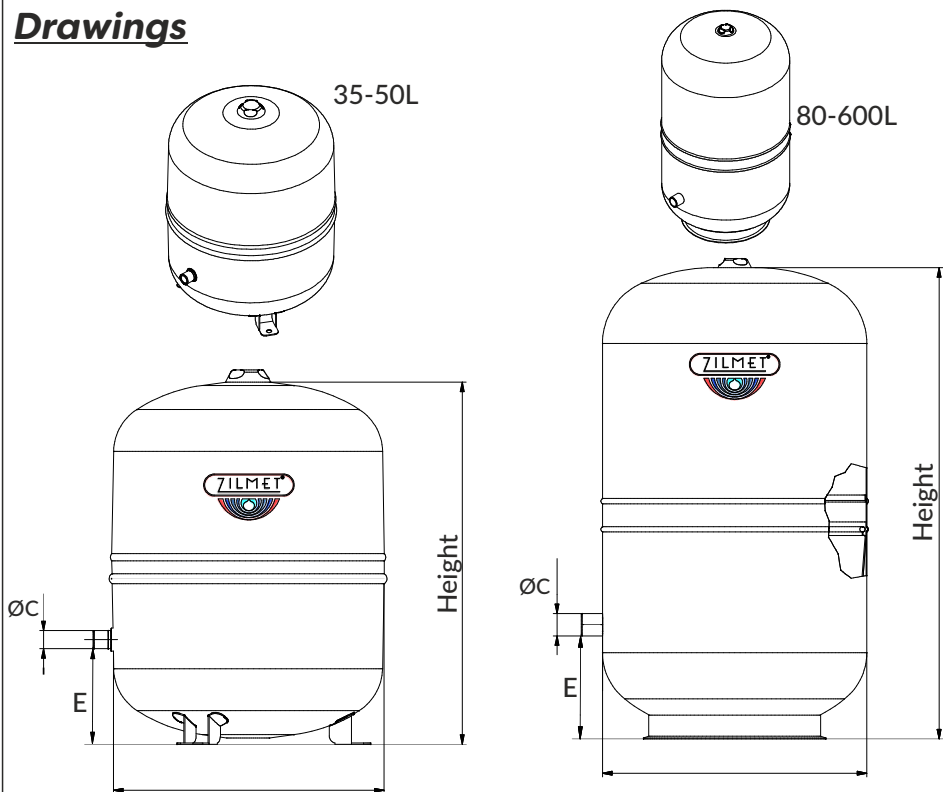
Max Pressure: 10 Bar

Colour: White

Operating Temperature: -10°C - 110°C

Code	Capacity	Diameter	Height	Connection Height "E"	Pmax	Pre charge	Connection
2003304	35	380	367	125	10	2.5	3/4" G
2005002	50	380	502	155	10	2.5	3/4" G
2008000	80	450	608	150	10	2.5	1" G
2010500	105	500	665	165	10	2.5	1" G
2015000	150	500	897	216	10	2.5	1" G
2020000	200	600	812	225	10	2.5	1" G
2025000	250	630	957	245	10	2.5	1" G
2030000	300	630	1105	245	10	2.5	1" G
2040000	400	630	1450	245	10	2.5	1" G
2050000	500	750	1340	290	10	2.5	1" G
2060000	600	750	1555	290	10	2.5	1" G

Drawings



Additional Information

Suitable for solar systems in accordance with DIN4757 and EN12977

Manufactured according to PED 2014/68/EU & EN13831

Comprehensive range of expansion vessels for solar systems

Range of intermediate vessels available if required to lower the temperature between the solar thermal circuit and the solar plus vessel

