

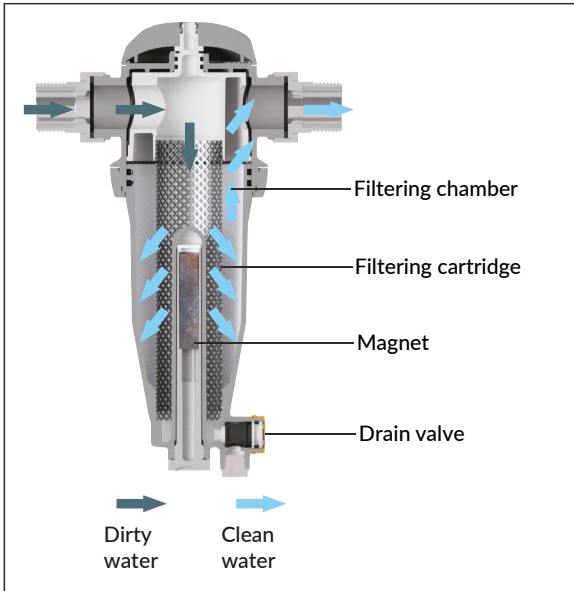


Product

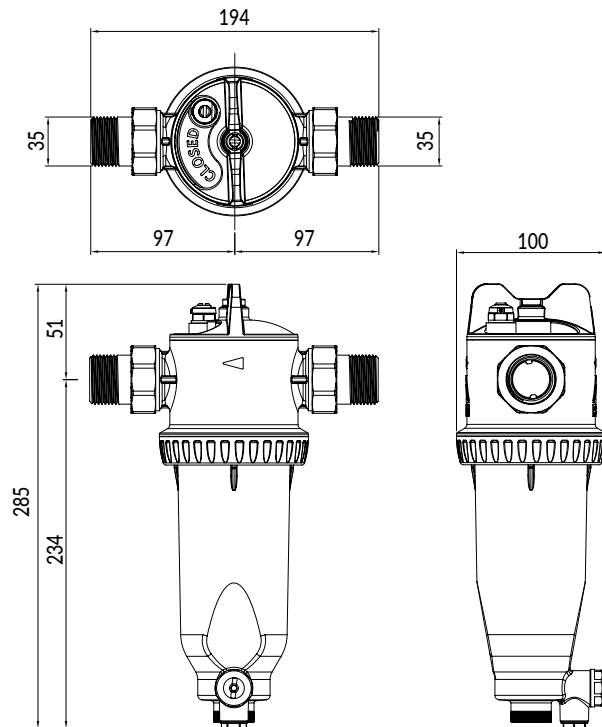
IK35MP1 - 35mm Heat Pump Filter with 28mm Reducing Sets
IK35INSU - Insulation Jacket for IK35MP1 Filter

Technical Specification

Max Operating Pressure:	6 Bar
Max Pressure During Maintenance:	3 Bar
Max Temperature (1 Hour Max):	90°C
Operating Temperature:	0 to 70°C
Medium:	Water, Water + Glycol



Drawing



Additional Information

800 Micron filter

Strong 11,000 gauss neodymium magnet

Complete with Integral isolation valve and low profile discharge ball cock

Supplied with 28mm reducing olives

Ensures system efficiency by removing impurities and fighting corrosion

Extends the lifespan of heat pumps

Direct filter forces fluid through the mesh cartridge before entering the filter chamber to catch as much system debris as possible

Pressure Drop Graph

